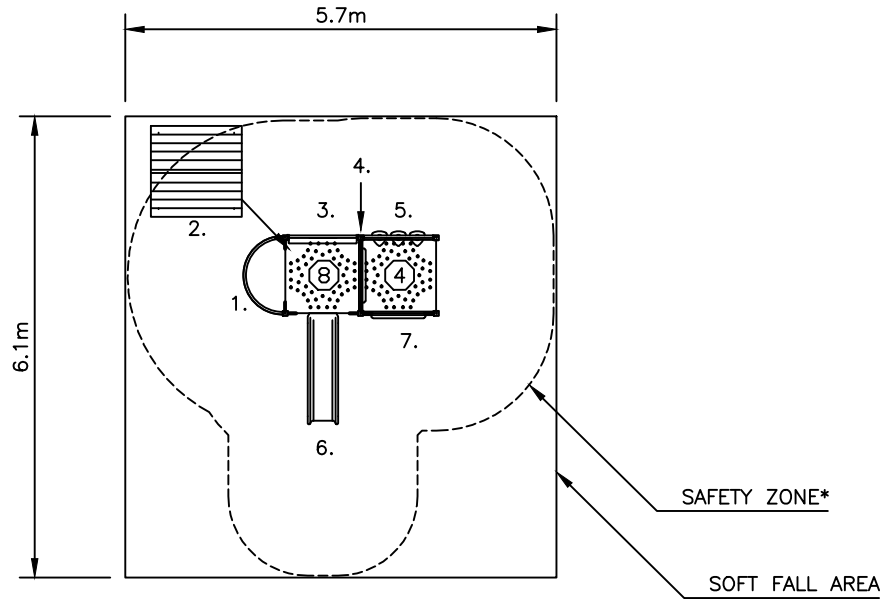
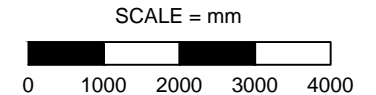


DO NOT SCALE



1. FIREPOLE 800
2. PLASTIC CUBBY ROOF
3. PLASTIC OBLIQUE PANEL
4. STEP PANEL & LOOPS
5. NAUGHTS & CROSSES PANEL
6. CATERPILLAR SLIDE 800
7. STEP PANEL & LOOPS

202-ASHTON
MAX FHF: 0.8M



*AS 4685:2014

APPROX AREA (sq.m.): 34.8 APPROX PERIMETER (lin.m.): 23.6

DISTRIBUTED BY



AUSTEK PLAY
1300 433 364
WWW.AUSTEKPLAY.COM.AU
INFO@AUSTEKPLAY.COM.AU

202 - ASHTON
EXTREME UNIT
STANDARD DRAWING

DRAWING No.:202

REV: A

DRN: A. DYSON
DATE: 25/07/14

SCALE 1:100
SHEET 1 OF 1

SIZE
A4

- Heights above Playground surface are shown on decks and all play equipment, is. Ⓢ = 40mm
- Impact absorbing ground cover is required under and around all play equipment.
- The min. recommended fall zone around the entire play structure is shown. This zone is to be free of all tripping or collision hazards (ie. roots, rocks, border material, etc).
- Site layout and dimensions are subject to verification prior to installation.
- Dimensions in millimetres unless stated otherwise.

OMNITECH PLAYGROUNDS - ABN 88 004 660 495 - PH 1800 812 027 - WEB WWW.OMNITECH.COM.AU - EMAIL INFO@OMNITECH.COM.AU - THIS DRAWING IS THE PROPERTY OF OMNITECH PLAYGROUNDS, REPRODUCTION IS PROHIBITED WITHOUT WRITTEN CONSENT.

