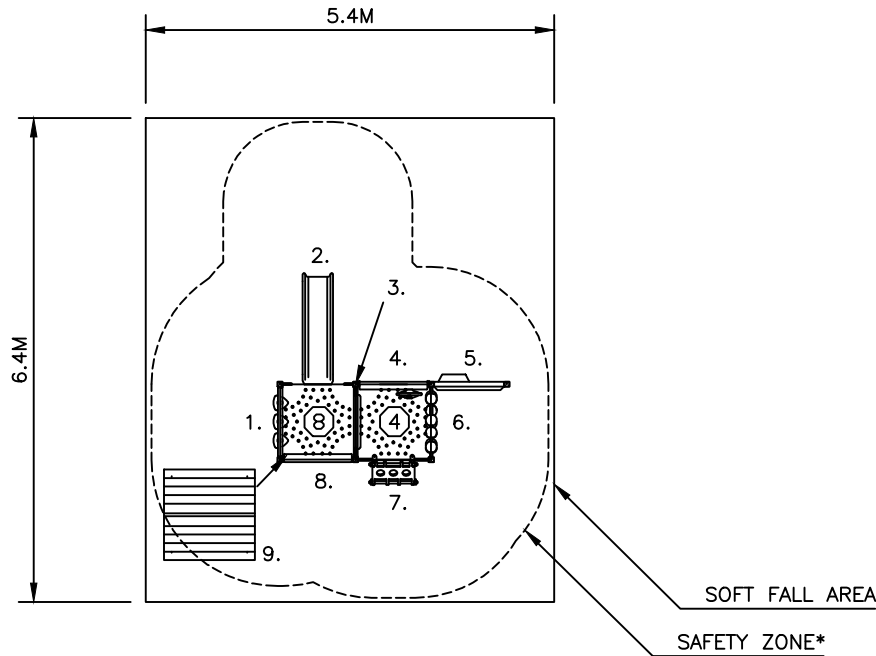
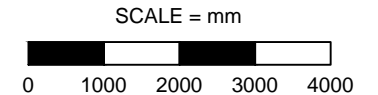


DO NOT SCALE



1. NAUGHTS & CROSSES PANEL
2. CATERPILLAR SLIDE 800
3. STEP PANEL & LOOPS
4. PLASTIC OBLIQUE PANEL & WHEEL
5. SHOP FRONT PANEL
6. ABACUS PANEL
7. HOLE CLIMBER 400
8. PLASTIC OBLIQUE PANEL
9. PLASTIC CUBBY ROOF

203-CLAIRE
MAX FHF: 0.8M



*AS 4685:2014

APPROX AREA (sq.m.): 34.6 APPROX PERIMETER (lin.m.): 23.6

DISTRIBUTED BY



AUSTEK PLAY
1300 433 364
WWW.AUSTEKPLAY.COM.AU
INFO@AUSTEKPLAY.COM.AU

203 - CLAIRE
EXTREME UNIT
STANDARD DRAWING

DRAWING No.: 203

REV: A

DRN: A. DYSON
DATE: 25/07/14

SCALE 1:100
SHEET 1 OF 1

SIZE
A4

- Heights above Playground surface are shown on decks and all play equipment, is. Ⓢ = 40mm
- Impact absorbing ground cover is required under and around all play equipment.
- The min. recommended fall zone around the entire play structure is shown. This zone is to be free of all tripping or collision hazards (i.e. roots, rocks, border material, etc).
- Site layout and dimensions are subject to verification prior to installation.
- Dimensions in millimetres unless stated otherwise.

OMNITECH PLAYGROUNDS - ABN 88 004 660 495 - PH 1800 812 027 - WEB WWW.OMNITECH.COM.AU - EMAIL INFO@OMNITECH.COM.AU - THIS DRAWING IS THE PROPERTY OF OMNITECH PLAYGROUNDS, REPRODUCTION IS PROHIBITED WITHOUT WRITTEN CONSENT.

