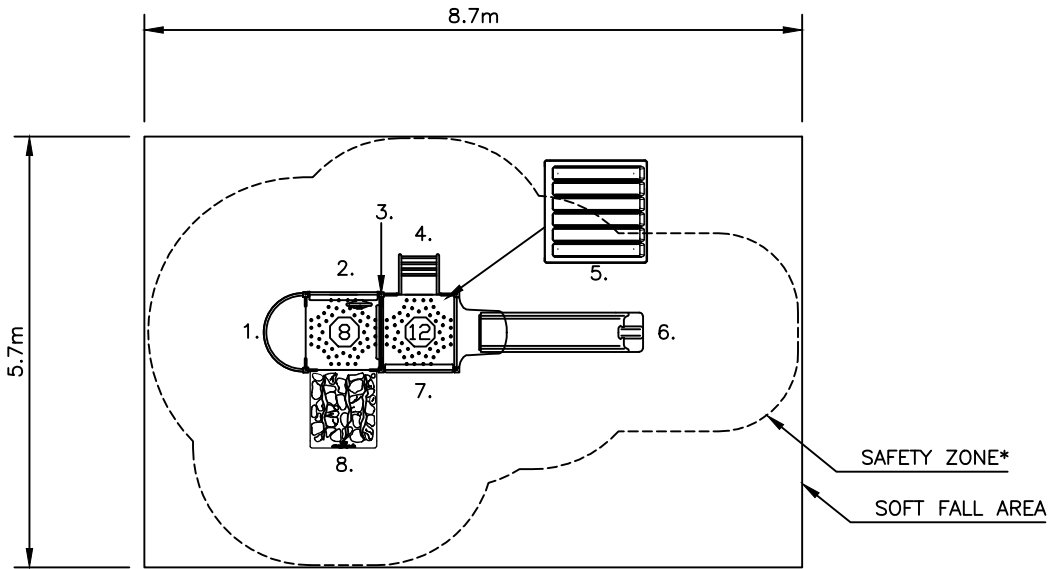
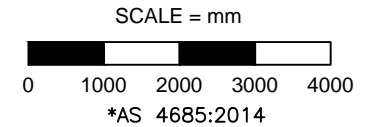


DO NOT SCALE



1. FIREPOLE 800
2. PLASTIC OBLIQUE PANEL & WHEEL
3. STEP PANEL & LOOPS
4. VERTICAL LADDER 1200
5. ARC ROOF
6. HOODED CATERPILLAR SLIDE 1200
7. PLASTIC OBLIQUE PANEL
8. ROCKY RAMBLE DK-GRND 800

204-HARRISON
MAX FHF: 1.2M



APPROX AREA (sq.m.): 49.6 APPROX PERIMETER (lin.m.): 28.8

DISTRIBUTED BY



AUSTEK PLAY
1300 433 364
WWW.AUSTEKPLAY.COM.AU
INFO@AUSTEKPLAY.COM.AU

204 - HARRISON
EXTREME UNIT
STANDARD DRAWING

DRAWING No.: 204

REV: A

DRN: A. DYSON

SCALE 1:100

SIZE

DATE: 28/07/14

SHEET 1 OF 1

A4

- Heights above Playground surface are shown on decks and all play equipment, is. Ⓢ = 400mm
- Impact absorbing ground cover is required under and around all play equipment.
- The min. recommended fall zone around the entire play structure is shown. This zone is to be free of all tripping or collision hazards (ie. roots, rocks, border material, etc).
- Site layout and dimensions are subject to verification prior to installation.
- Dimensions in millimetres unless stated otherwise.

OMNITECH PLAYGROUNDS - ABN 88 004 660 495 - PH 1800 812 027 - WEB WWW.OMNITECH.COM.AU - EMAIL INFO@OMNITECH.COM.AU - THIS DRAWING IS THE PROPERTY OF OMNITECH PLAYGROUNDS, REPRODUCTION IS PROHIBITED WITHOUT WRITTEN CONSENT.

