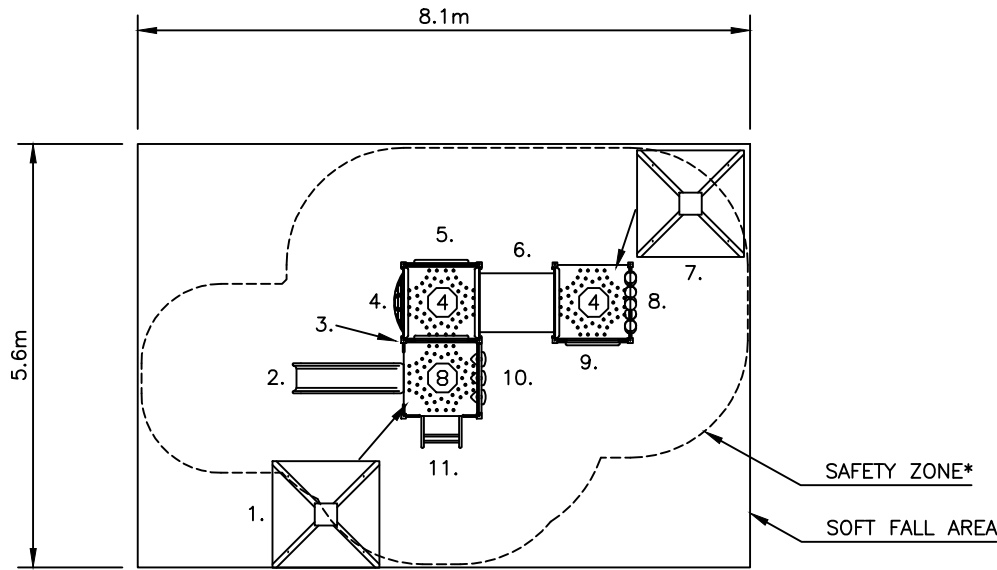


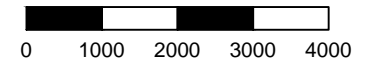
DO NOT SCALE



1. DOME ROOF
2. CATERPILLAR SLIDE 800
3. STEP PANEL & SAFETY LOOPS
4. EYE SPY PANEL
5. STEP PANEL & SAFETY LOOPS
6. 1m CRAWL TUBE
7. DOME ROOF
8. ABACUS PANEL
9. STEP PANEL & SAFETY LOOPS
10. NAUGHTS & CROSSES PANEL
11. VERTICAL LADDER 800

206-KIRRILIE
MAX FHF: 0.8M

SCALE = mm



*AS 4685:2014

APPROX AREA (sq.m.): 45.4 APPROX PERIMETER (lin.m.): 27.4

DISTRIBUTED BY



AUSTEK PLAY
1300 433 364
WWW.AUSTEKPLAY.COM.AU
INFO@AUSTEKPLAY.COM.AU

206 - KIRRILIE
EXTREME UNIT
STANDARD DRAWING

DRAWING No.: 206

REV: A

DRN: A. DYSON

SCALE 1:100

SIZE

DATE: 28/07/14

SHEET 1 OF 1

A4

- Heights above Playground surface are shown on decks and all play equipment, is. Ⓢ = 400mm
- Impact absorbing ground cover is required under and around all play equipment.
- The min. recommended fall zone around the entire play structure is shown. This zone is to be free of all tripping or collision hazards (i.e. roots, rocks, border material, etc).
- Site layout and dimensions are subject to verification prior to installation.
- Dimensions in millimetres unless stated otherwise.

OMNITECH PLAYGROUNDS - ABN 88 004 660 495 - PH 1800 812 027 - WEB WWW.OMNITECH.COM.AU - EMAIL INFO@OMNITECH.COM.AU - THIS DRAWING IS THE PROPERTY OF OMNITECH PLAYGROUNDS, REPRODUCTION IS PROHIBITED WITHOUT WRITTEN CONSENT.

