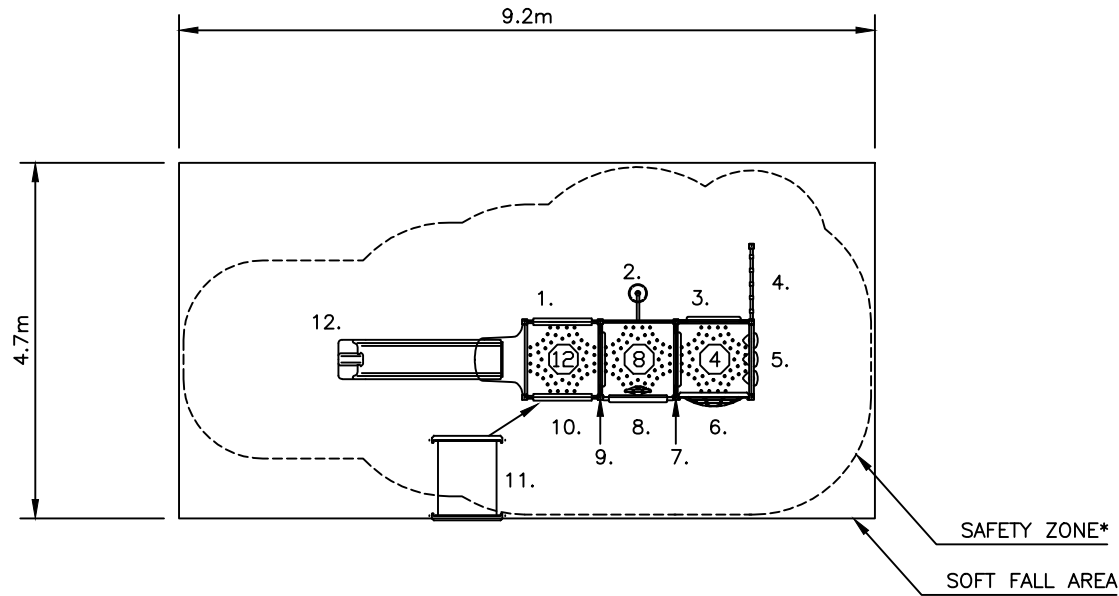


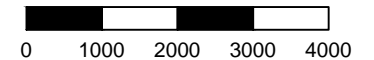
DO NOT SCALE



1. PLASTIC ARCH PANEL
2. SINGLE POMMEL CLIMBER 800
3. STEP PANEL & LOOPS
4. SQUEEZE BARS (UNDER)
5. NAUGHTS & CROSSES PANEL
6. EYE SPY PANEL
7. STEP PANEL & SAFETY LOOPS
8. PLASTIC ARCH PANEL & WHEEL
9. STEP PANEL & SAFETY LOOPS
10. PLASTIC ARCH PANEL
11. 1m CRAWL TUBE (UNDER)
12. HOODED CATERPILLAR SLIDE 1200

208-JEMMA  
MAX FHF: 1.2M

SCALE = mm



\*AS 4685:2014

APPROX AREA (sq.m.): 43.2 APPROX PERIMETER (lin.m.): 25.2

DISTRIBUTED BY



AUSTEK PLAY  
1300 433 364  
WWW.AUSTEKPLAY.COM.AU  
INFO@AUSTEKPLAY.COM.AU

208 - JEMMA  
EXTREME UNIT  
STANDARD DRAWING

DRAWING No.: 208

REV: A

DRN: A. DYSON  
DATE: 28/07/14

SCALE 1:100  
SHEET 1 OF 1

SIZE  
A4

- Heights above Playground surface are shown on decks and all play equipment, is. Ⓢ = 400mm
- Impact absorbing ground cover is required under and around all play equipment.
- The min. recommended fall zone around the entire play structure is shown. This zone is to be free of all tripping or collision hazards (i.e. roots, rocks, border material, etc).
- Site layout and dimensions are subject to verification prior to installation.
- Dimensions in millimetres unless stated otherwise.

OMNITECH PLAYGROUNDS - ABN 88 004 660 495 - PH 1800 812 027 - WEB WWW.OMNITECH.COM.AU - EMAIL INFO@OMNITECH.COM.AU - THIS DRAWING IS THE PROPERTY OF OMNITECH PLAYGROUNDS, REPRODUCTION IS PROHIBITED WITHOUT WRITTEN CONSENT.

