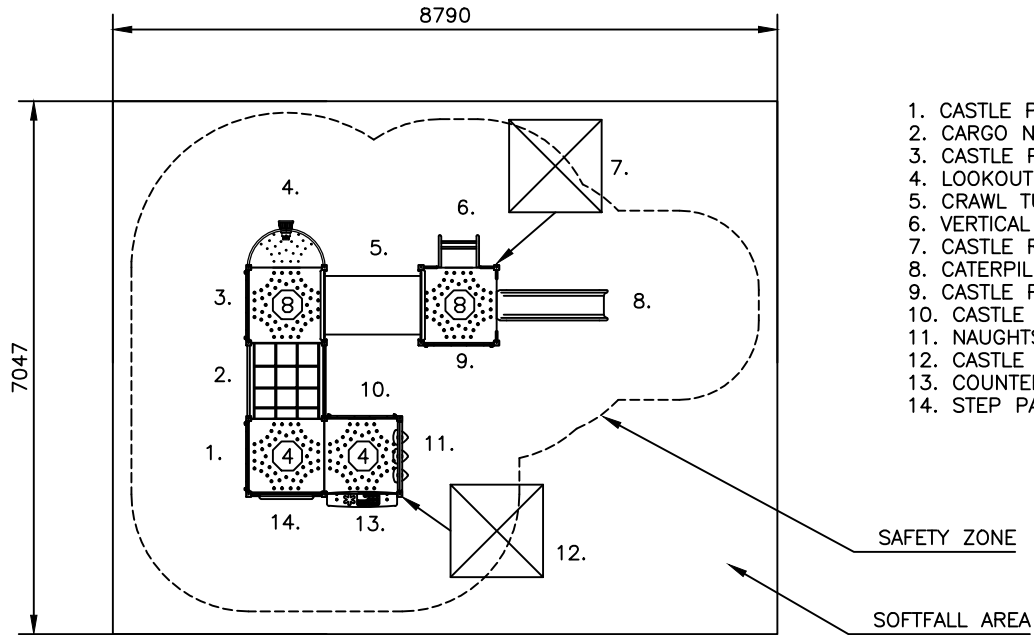


DO NOT SCALE



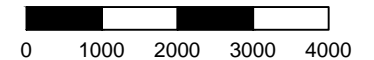
1. CASTLE PANEL
2. CARGO NET CLIMBER DK-DK 400
3. CASTLE PANEL
4. LOOKOUT DECK WITH KALEIDOSCOPE
5. CRAWL TUBE 1280
6. VERTICAL LADDER 800
7. CASTLE ROOF
8. CATERPILLAR SLIDE 800
9. CASTLE PANEL
10. CASTLE PANEL
11. NAUGHTS & CROSSES PANEL
12. CASTLE ROOF
13. COUNTER PANEL
14. STEP PANEL & LOOPS

229 - JANE
MA FHF: 0.8m

SAFETY ZONE

SOFTFALL AREA

SCALE = mm



APPROX AREA (sq.m.): 61.9 APPROX PERIMETER (lin.m.): 31.7

229 - JANE
EXTREME UNIT
STANDARD DRAWING

DRAWING No.: 229

REV: A

DRN: K. NICHOLSON
DATE: 6/6/16

SCALE 1:100
SHEET 1 OF 1

SIZE
A4

- Heights above Playground surface are shown on decks and all play equipment, is. Ⓢ = 400mm
- Impact absorbing ground cover is required under and around all play equipment.
- The min. recommended fall zone around the entire play structure is shown. This zone is to be free of all tripping or collision hazards (i.e. roots, rocks, border material, etc).
- Site layout and dimensions are subject to verification prior to installation.
- Dimensions in millimetres unless stated otherwise.

