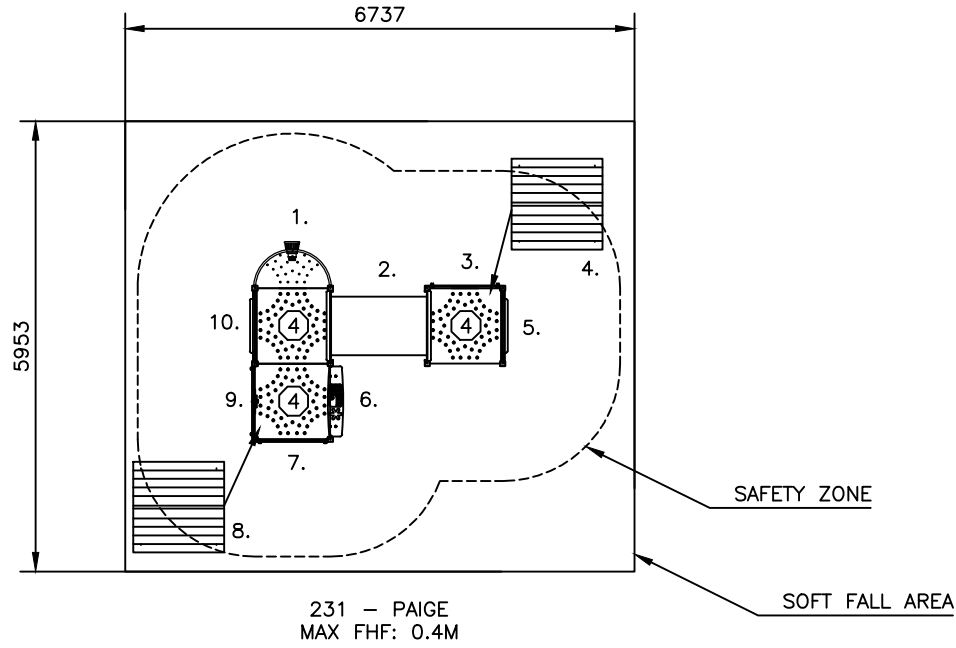
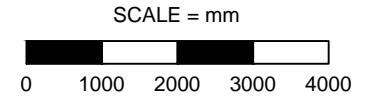


DO NOT SCALE



1. LOOKOUT DECK W/ KALEIDOSCOPE
2. CRAWL TUBE 1280
3. MODERN PANEL
4. PLASTIC CUBBY ROOF
5. STEP PANEL & LOOPS
6. COUNTER PANEL
7. MODERN PANEL
8. PLASTIC CUBBY ROOF
9. CLOCK PANEL
10. STEP PANE & LOOPS



APPROX AREA (sq.m.): 40.1 APPROX PERIMETER (lin.m.): 25.4

231 - PAIGE
EXTREME UNIT
STANDARD DRAWING

DRAWING No.: 231

REV: A

DRN: K. NICHOLSON
DATE: 6/5/16

SCALE 1:100
SHEET 1 OF 1

SIZE
A4

- Heights above Playground surface are shown on decks and all play equipment, is. Ⓢ = 40mm
- Impact absorbing ground cover is required under and around all play equipment.
- The min. recommended fall zone around the entire play structure is shown. This zone is to be free of all tripping or collision hazards (i.e. roots, rocks, border material, etc).
- Site layout and dimensions are subject to verification prior to installation.
- Dimensions in millimetres unless stated otherwise.

