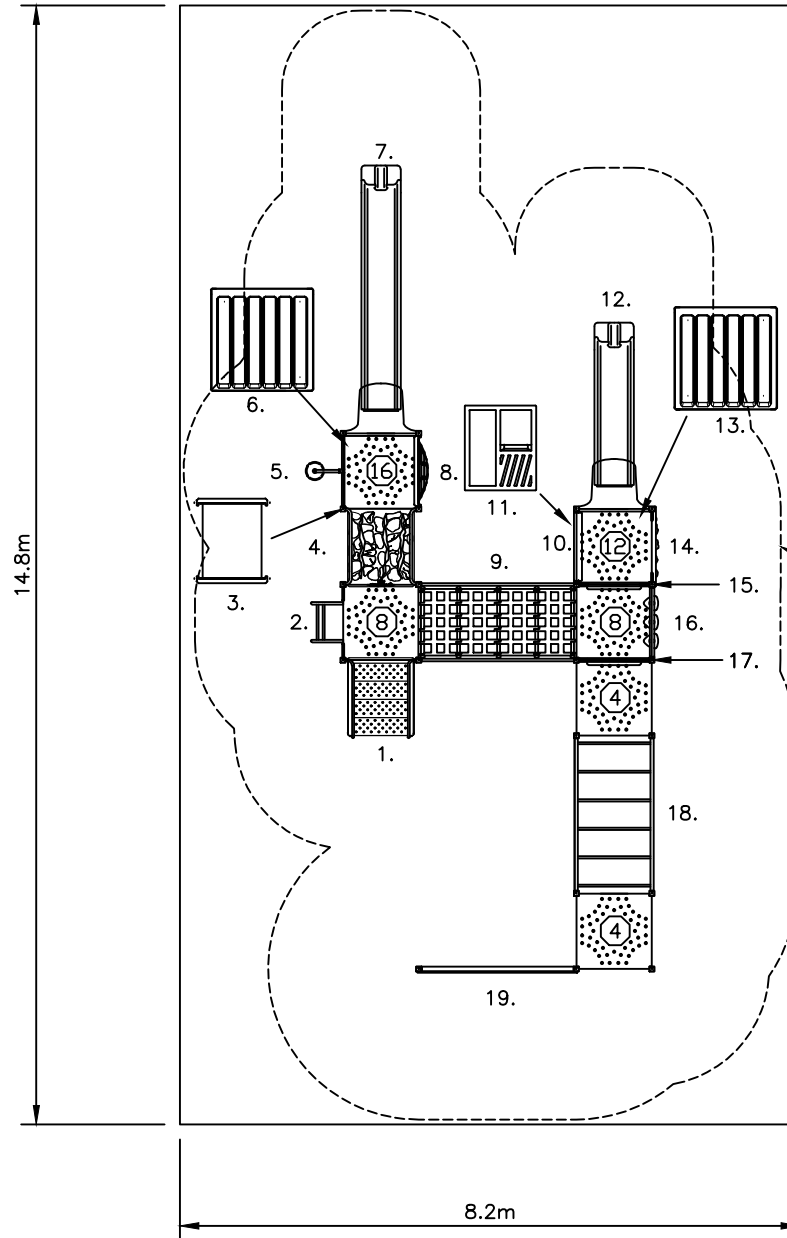


DO NOT SCALE



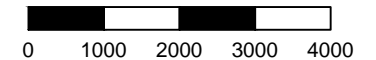
502-ISSAC
MAX FHF: 2.2M

1. DK-GRND STAIRS 800
2. VERTICAL LADDER 800
3. 1m CRAWL TUBE (UNDER)
4. ROCKY RAMBLE DK-DK 800
5. SINGLE POMMEL CLIMBER 1600
6. ARC ROOF & INFILL PANELS
7. HOODED CATERPILLAR SLIDE 1600
8. EYE SPY PANEL
9. HONEYCOMB BRIDGE & HANDRAILS
10. PLASTIC OBLIQUE PANEL
11. SHOP FRONT PANEL (UNDER)
12. HOODED CATERPILLAR SLIDE 1200
13. ARC ROOF & INFILL PANELS
14. ROCKWALL CHALLENGE 1200
15. STEP PANEL & LOOPS
16. NAUGHTS & CROSSES PANEL
17. STEP PANEL & LOOPS
18. CHALLENGE LADDER
19. NET CLIMBER

SAFETY ZONE*

SOFT FALL AREA

SCALE = mm



*AS 4685:2014

APPROX AREA (sq.m.): 121.4 APPROX PERIMETER (lin.m.): 46.0

DISTRIBUTED BY



AUSTEK PLAY
1300 433 364
WWW.AUSTEKPLAY.COM.AU
INFO@AUSTEKPLAY.COM.AU

502 - ISSAC
EXTREME UNIT
STANDARD DRAWING

DRAWING No.: 502

REV: A

DRN: A. DYSON
DATE: 28/07/14

SCALE 1:100
SHEET 1 OF 1

SIZE
A4

- Heights above Playground surface are shown on decks and all play equipment. is. Ⓢ = 40mm
- Impact absorbing ground cover is required under and around all play equipment.
- The min. recommended fall zone around the entire play structure is shown. This zone is to be free of all tripping or collision hazards (i.e. roots, rocks, border material, etc).
- Site layout and dimensions are subject to verification prior to installation.
- Dimensions in millimetres unless stated otherwise.

OMNITECH PLAYGROUNDS - ABN 88 004 660 495 - PH 1800 812 027 - WEB WWW.OMNITECH.COM.AU - EMAIL INFO@OMNITECH.COM.AU - THIS DRAWING IS THE PROPERTY OF OMNITECH PLAYGROUNDS. REPRODUCTION IS PROHIBITED WITHOUT WRITTEN CONSENT.

