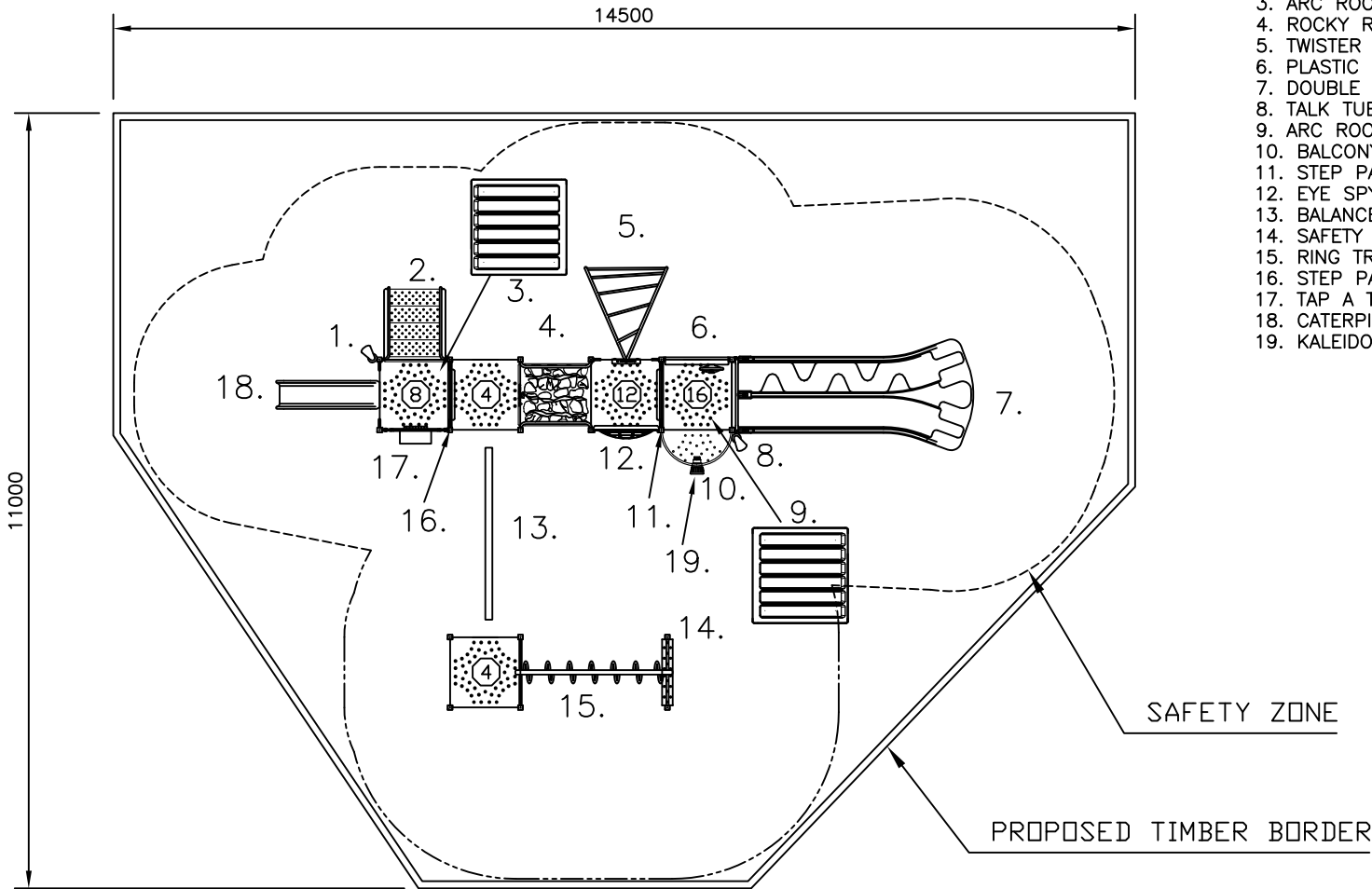


DO NOT SCALE



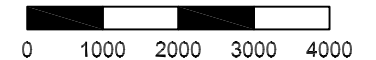
1. TALK TUBE
2. SAFETY STAIRS DK-GRND 800
3. ARC ROOF
4. ROCKY RAMBLE DK-DK 800
5. TWISTER CLIMBER
6. PLASTIC OBLIQUE PANEL & WHEEL
7. DOUBLE WIDE SLIDE
8. TALK TUBE
9. ARC ROOF
10. BALCONY LOOKOUT
11. STEP PANEL & SAFETY LOOPS
12. EYE SPY PANEL
13. BALANCE BEAM
14. SAFETY STEP
15. RING TREK
16. STEP PANEL & SAFETY LOOPS
17. TAP A TUNE PANEL
18. CATERPILLAR SLIDE 800
19. KALEIDOSCOPE

507-LEAH
MAX FHF 2.2M

SAFETY ZONE

PROPOSED TIMBER BORDER

SCALE = mm



APPROX AREA (sq.m.): 125.6

APPROX PERIMETER (lin.m.): 44.0

STANDARD
DRAWINGS
2012

DRAWING No.: 507

REV: A

DRN: B.Crichton

SCALE 1: 100

SIZE

DATE: 23/07/12

SHEET 1 OF 1

A4

- Heights above Playground surface are shown on decks and all play equipment. is. Ⓢ -400mm
- Impact absorbing ground cover is required under and around all play equipment.
- The min. recommended fall zone around the entire play structure is shown. This zone is to be free of all tripping or collision hazards (ie. roots, rocks, border material, etc).
- Site layout and dimensions are subject to verification prior to installation.
- Dimensions in millimetres unless stated otherwise.

