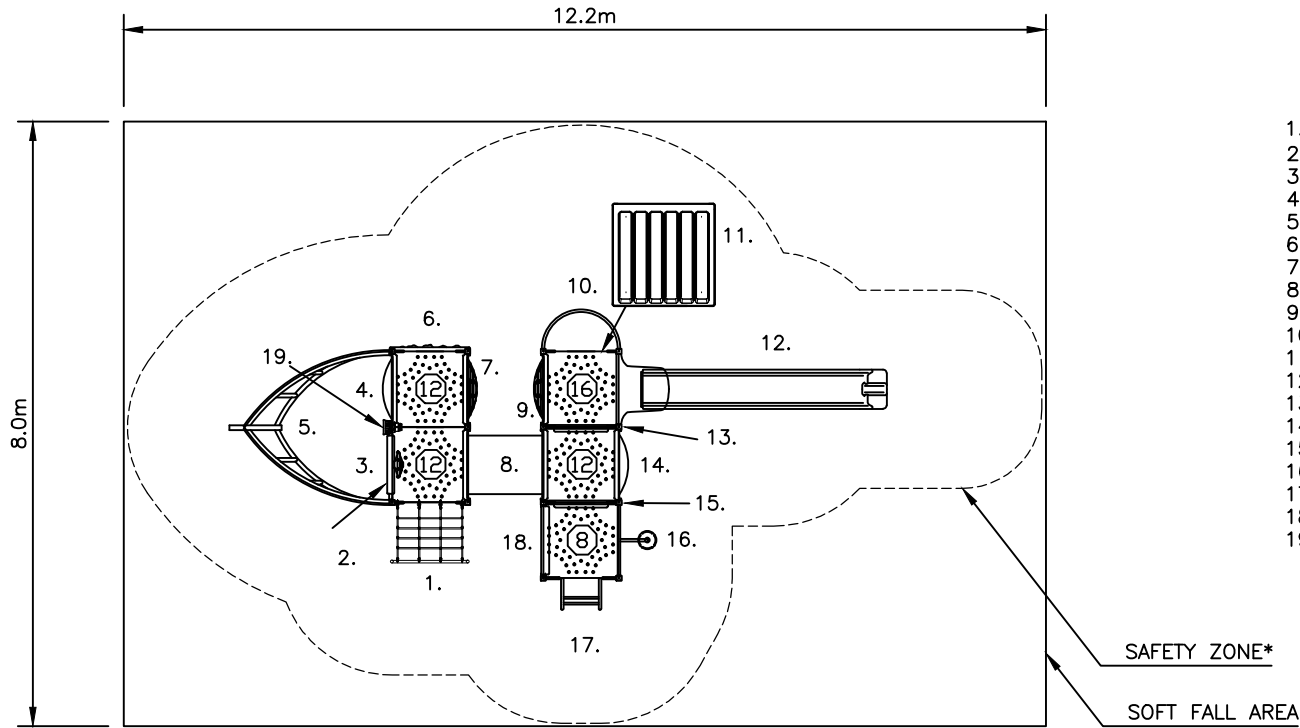


DO NOT SCALE



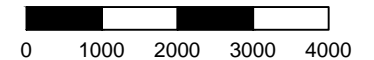
1. CARGO CLIMBER DCK-GRND 1200
2. SHOP FRONT PANEL (UNDER)
3. PLASTIC ARCH PANEL & WHEEL
4. BUBBLE PANEL
5. BOAT BOW
6. ROCKWALL CHALLENGE 1200
7. EYE SPY PANEL
8. 1M CRAWL TUBE
9. EYE SPY PANEL
10. FIREPOLE 1600
11. ARC ROOF
12. HOODED CATERPILLAR SLIDE 1600
13. STEP PANEL & SAFETY LOOPS
14. BUBBLE PANEL
15. STEP PANEL & SAFETY LOOPS
16. SINGLE POMMEL CLIMBER 800
17. VERTICAL LADDER 800
18. PLASTIC OBLIQUE PANEL
19. KALEIDOSCOPE

SAFETY ZONE\*

SOFT FALL AREA

514-SEBASTIAN  
MAX FHF: 1.6M

SCALE = mm



\*AS 4685:2014

APPROX AREA (sq.m.): 97.6 APPROX PERIMETER (lin.m.): 40.4

DISTRIBUTED BY



AUSTEK PLAY  
1300 433 364  
WWW.AUSTEKPLAY.COM.AU  
INFO@AUSTEKPLAY.COM.AU

514 - SEBASTIAN  
EXTREME UNIT  
STANDARD DRAWING

DRAWING No.: 514

REV: A

DRN: A. DYSON  
DATE: 30/07/14

SCALE 1:100  
SHEET 1 OF 1

SIZE  
A4

- Heights above Playground surface are shown on decks and all play equipment, is. Ⓢ = 40mm
- Impact absorbing ground cover is required under and around all play equipment.
- The min. recommended fall zone around the entire play structure is shown. This zone is to be free of all tripping or collision hazards (i.e. roots, rocks, border material, etc).
- Site layout and dimensions are subject to verification prior to installation.
- Dimensions in millimetres unless stated otherwise.

OMNITECH PLAYGROUNDS - ABN 88 004 660 495 - PH 1800 812 027 - WEB WWW.OMNITECH.COM.AU - EMAIL INFO@OMNITECH.COM.AU - THIS DRAWING IS THE PROPERTY OF OMNITECH PLAYGROUNDS, REPRODUCTION IS PROHIBITED WITHOUT WRITTEN CONSENT.

