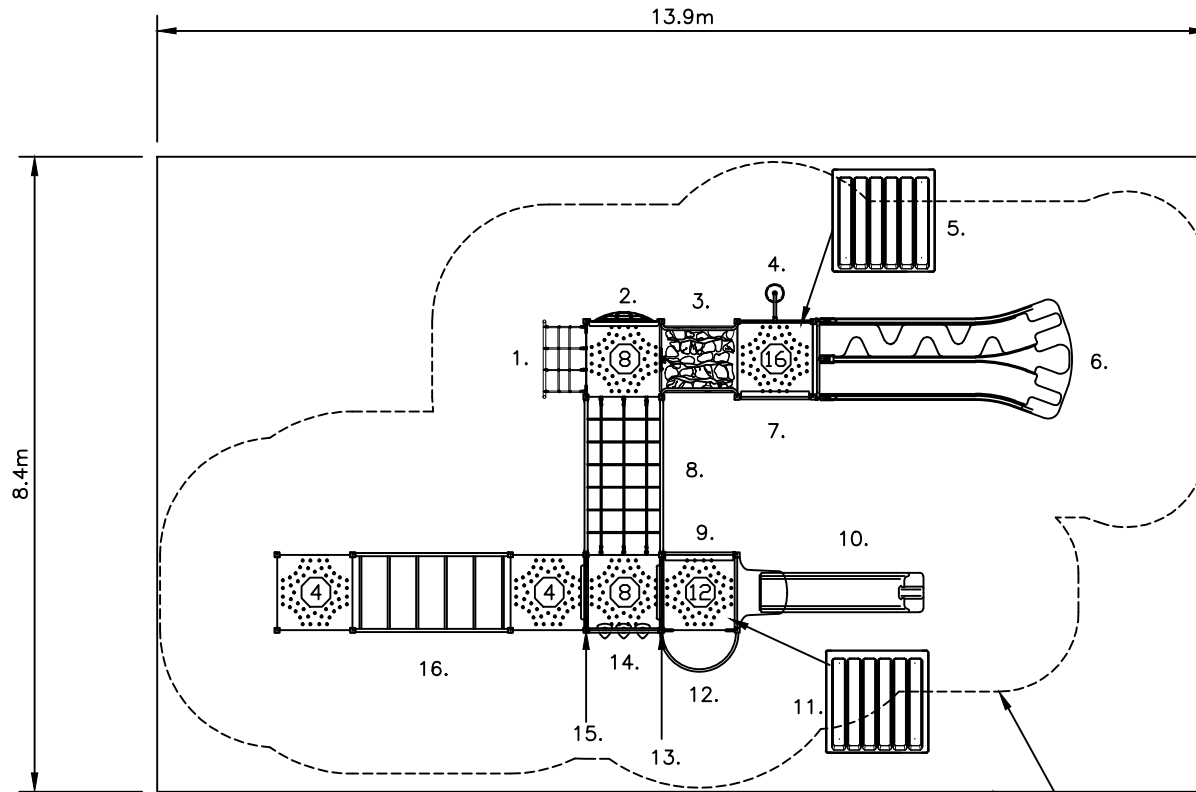


DO NOT SCALE



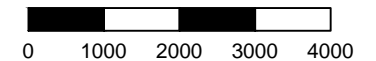
1. CARGO NET DK-GRND 800
2. EYE SPY PANEL
3. ROCKY RAMBLE DK-DK 800
4. SINGLE POMMEL CLIMBER 1600
5. ARC ROOF
6. DOUBLE WIDE SLIDE
7. PLASTIC OBLIQUE PANEL
8. ROPE BRIDGE DK-DK 800
9. PLASTIC OBLIQUE PANEL
10. HOODED CATERPILLAR SLIDE 1200
11. ARC ROOF
12. FIREPOLE 1200
13. STEP PANEL & LOOPS
14. NAUGHTS & CROSSES PANEL
15. STEP PANEL & LOOPS
16. CHALLENGE LADDER

523-BEN  
MAX FHF: 2.2M

SAFETY ZONE\*

SOFT FALL AREA

SCALE = mm



\*AS 4685:2014

APPROX AREA (sq.m.):116 APPROX PERIMETER (lin.m.):44.5

DISTRIBUTED BY



AUSTEK PLAY  
1300 433 364  
WWW.AUSTEKPLAY.COM.AU  
INFO@AUSTEKPLAY.COM.AU

523 - BEN  
EXTREME UNIT  
STANDARD DRAWING

DRAWING No.:523

REV: A

DRN: A. DYSON  
DATE: 31/07/14

SCALE 1:100  
SHEET 1 OF 1

SIZE  
A4

- Heights above Playground surface are shown on decks and all play equipment, is. Ⓢ= 40mm
- Impact absorbing ground cover is required under and around all play equipment.
- The min. recommended fall zone around the entire play structure is shown. This zone is to be free of all tripping or collision hazards (ie. roots, rocks, border material, etc).
- Site layout and dimensions are subject to verification prior to installation.
- Dimensions in millimetres unless stated otherwise.

OMNITECH PLAYGROUNDS - ABN 88 004 660 495 - PH 1800 812 027 - WEB WWW.OMNITECH.COM.AU - EMAIL INFO@OMNITECH.COM.AU - THIS DRAWING IS THE PROPERTY OF OMNITECH PLAYGROUNDS, REPRODUCTION IS PROHIBITED WITHOUT WRITTEN CONSENT.

