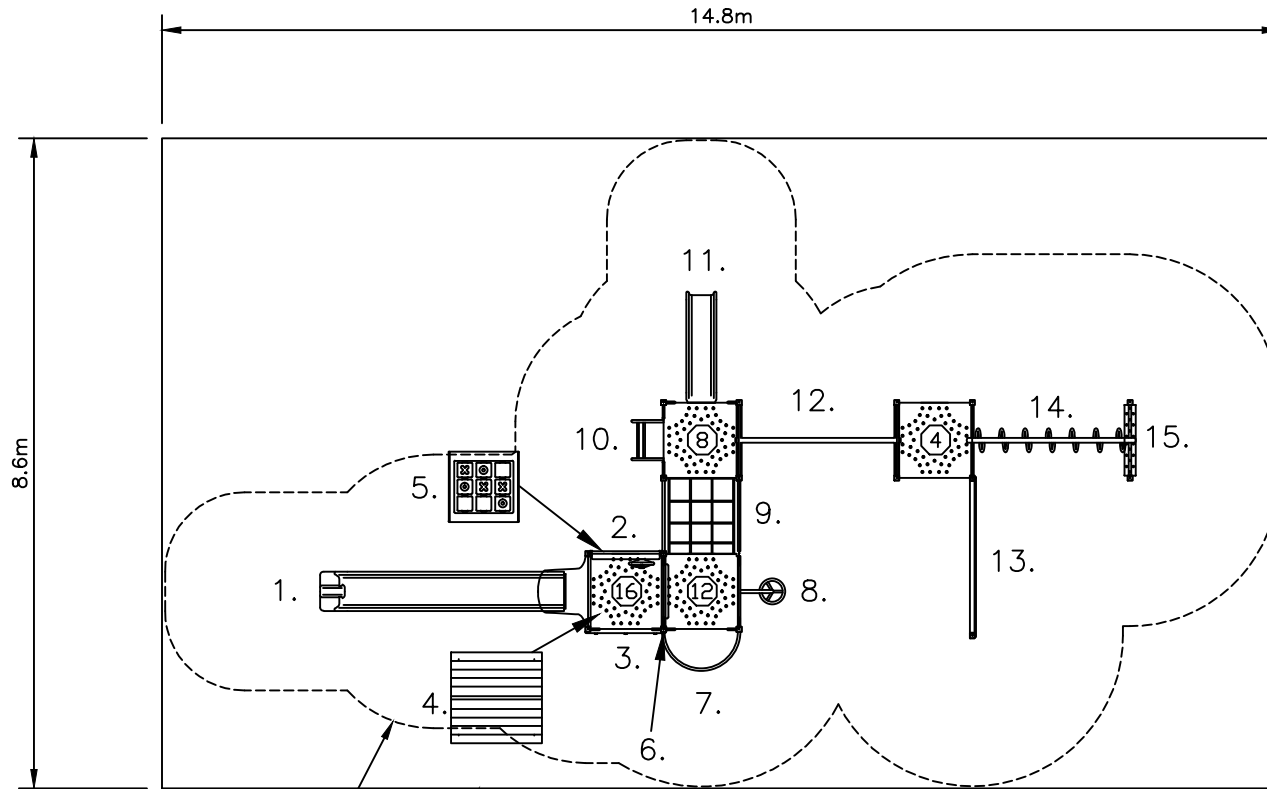


DO NOT SCALE



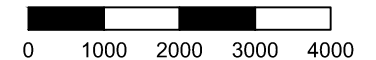
1. HOODED CATERPILLAR SLIDE (1600)
2. PLASTIC OBLIQUE PANEL W/ WHEEL
3. SWISS CHEESE CLIMBER (1600)
4. PLASTIC CUBBY ROOF
5. NAUGHTS AND CROSSES PANEL (UNDER)
6. STEP PANEL & LOOPS
7. FIREPOLE (1200)
8. CORKSCREW CLIMBER (1200)
9. CARGO NET CLIMBER (400)
10. VERTICAL LADDER (800)
11. CATERPILLAR SLIDE (800)
12. INCLINED ROPE SCRAMBLE (400)
13. SPIDER NET CLIMBER
14. RING TREK
15. STEP END DECK

SAFETY ZONE*

SOFT FALL AREA

562 - KATE
MAX FHF: 2.2m

SCALE = mm



*AS 4685:2014

APPROX AREA (sq.m.): 127.3 APPROX PERIMETER (lin.m.): 46.8

DISTRIBUTED BY



AUSTEK PLAY
1300 433 364
WWW.AUSTEKPLAY.COM.AU
INFO@AUSTEKPLAY.COM.AU

562 KATE
EXTREME UNIT
STANDARD DRAWING

DRAWING No.: 562

REV: A

DRN: A. DYSON
DATE: 10/04/14

SCALE 1:100
SHEET 1 OF 1

SIZE
A4

- Heights above Playground surface are shown on decks and all play equipment, is. Ⓢ = 400mm
- Impact absorbing ground cover is required under and around all play equipment.
- The min. recommended fall zone around the entire play structure is shown. This zone is to be free of all tripping or collision hazards (i.e. roots, rocks, border material, etc).
- Site layout and dimensions are subject to verification prior to installation.
- Dimensions in millimetres unless stated otherwise.

OMNITECH PLAYGROUNDS - ABN 88 004 660 495 - PH 1800 812 027 - WEB WWW.OMNITECH.COM.AU - EMAIL INFO@OMNITECH.COM.AU - THIS DRAWING IS THE PROPERTY OF OMNITECH PLAYGROUNDS. REPRODUCTION IS PROHIBITED WITHOUT WRITTEN CONSENT.

