

Inclined Square

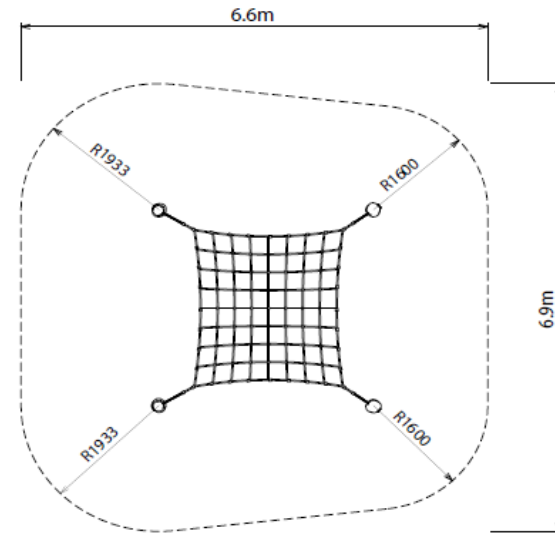
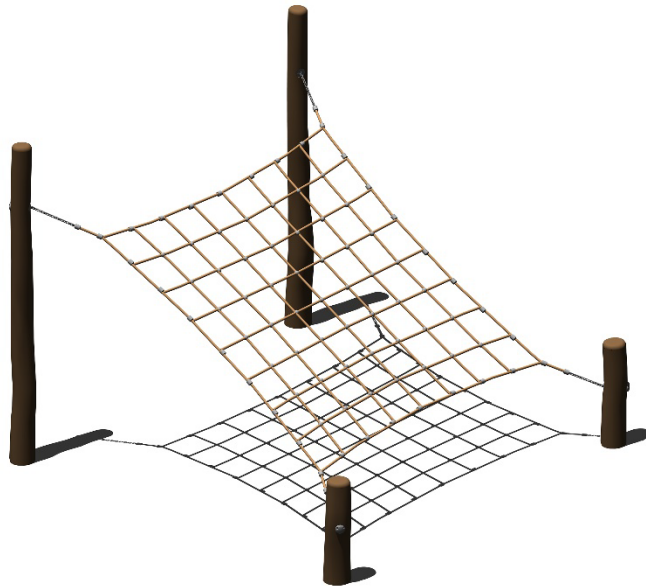


Fig. G1. Fall Zone Plan
Not to scale

Product Specifications	
Maximum Height	2500 mm
Maximum Fall Height	2000 mm
Fall zone	40.2m ²
Perimeter	23.1 m
Number of skilled installers	2
Target Age Groups	5+

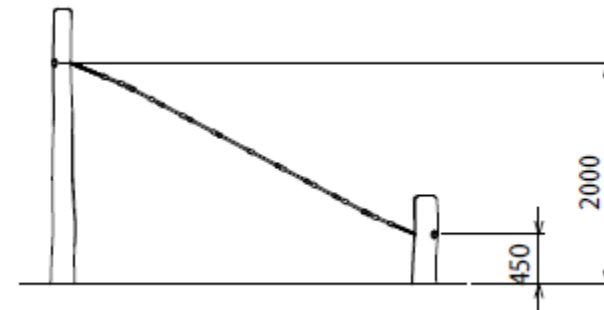


Fig. G3. Elevation
Not to scale