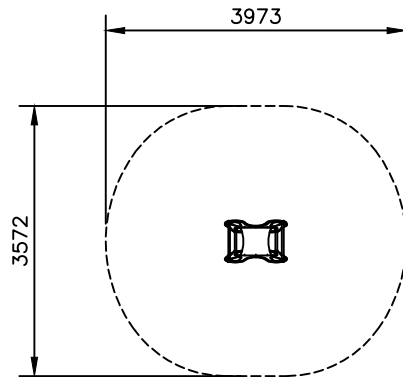
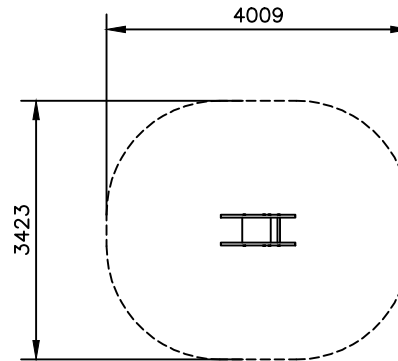


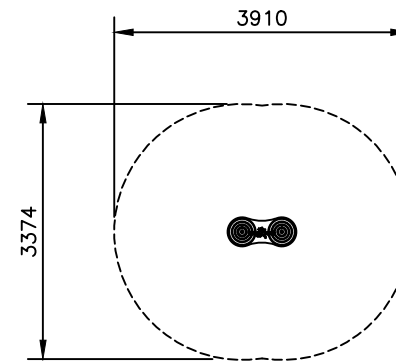
DO NOT SCALE



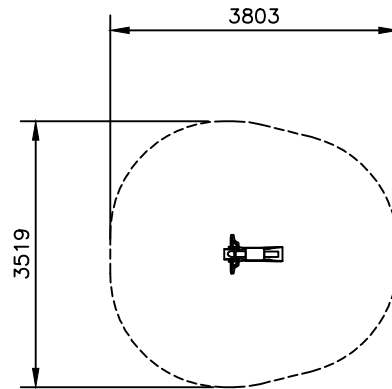
BUTTERFLY



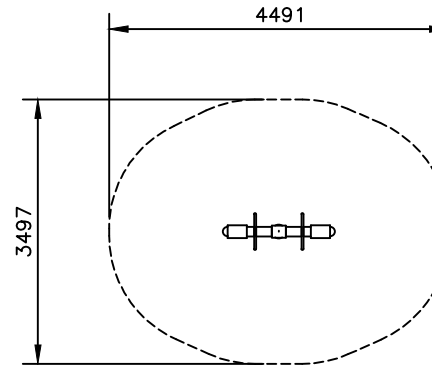
WHALE SPRING RIDER



SKATEBOARD

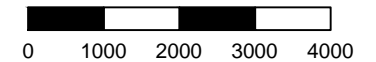


HORSE



2 SEAT TOTTER

SCALE = mm



APPROX AREA (sq.m.): -

APPROX PERIMETER (lin.m.): -

OMNITECH
SPRINGERS
2012

DRAWING No.:12/01/12 REV: A

DRN: B.Crichton
DATE: -

SCALE 1:100
SHEET 1 OF 1

SIZE
A4

- Heights above Playground surface are shown on decks and all play equipment. is. ⌀ = 400mm
- Impact absorbing ground cover is required under and around all play equipment.
- The min. recommended fall zone around the entire play structure is shown. This zone is to be free of all tripping or collision hazards (ie. roots, rocks, border material, etc).
- Site layout and dimensions are subject to verification prior to installation.
- Dimensions in millimetres unless stated otherwise.

