

THIS DRAWING IS INDICATIVE ONLY (NOT FOR CONSTRUCTION)



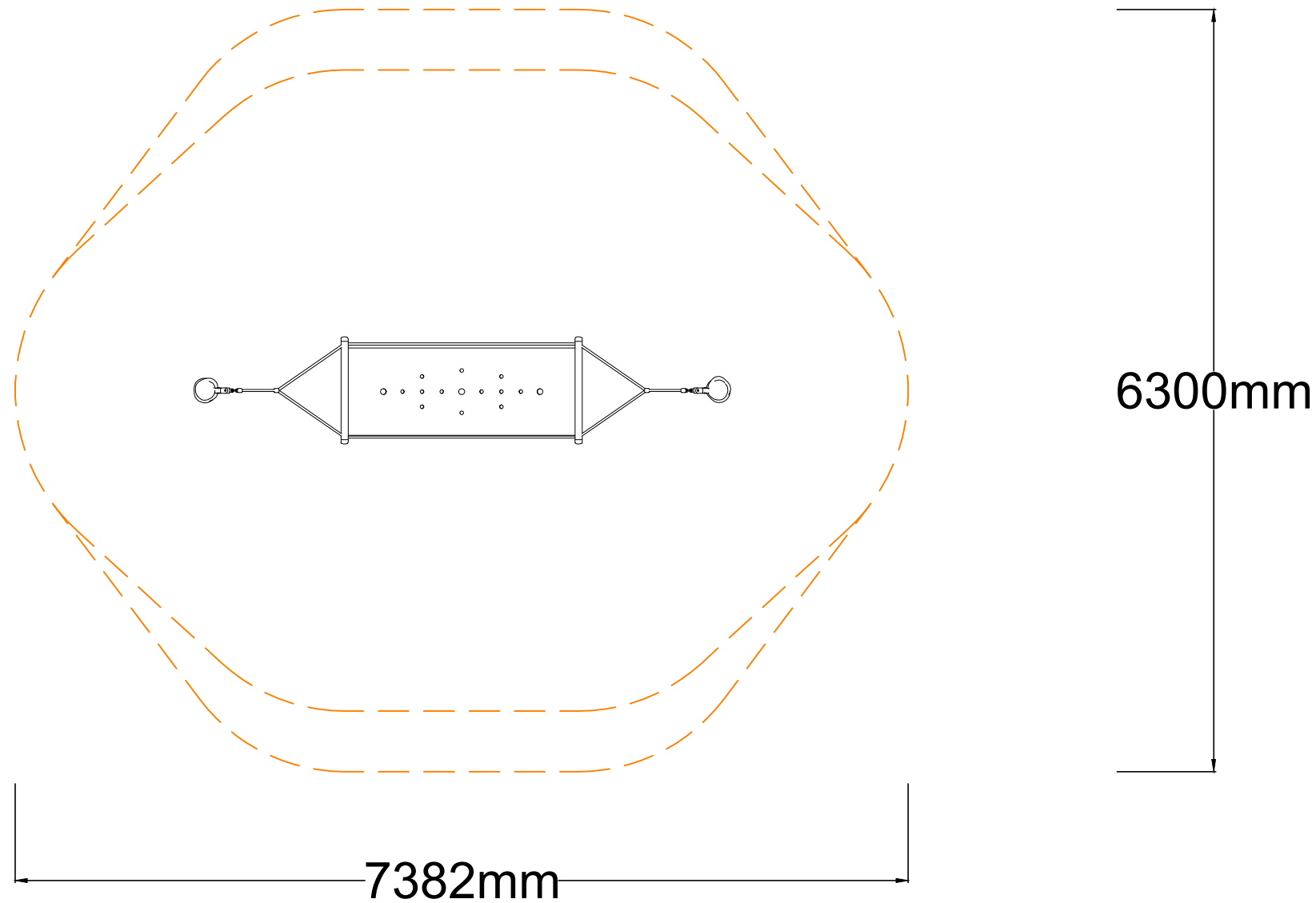
AUSTEK PLAY
CP-6022-NATURAL-HAMMOCK

CONSULTANT: AUSTEK PLAY
REV: A

DATE: 19/04/2024
DRN: A. CALZAVARA PAGE SIZE: A3

EQUIPMENT LIST

CP-6022-NATURAL-HAMMOCK



NOTES:

- Heights above Playground surface are shown on decks and all play equipment. ie. Ⓞ = 400mm
- Impact absorbing ground cover is required under and around all play equipment.

- The min. recommended fall zone around the entire play structure is shown. This zone is to be free of all tripping or collision hazards (ie. roots, rocks, border material, etc).
- Site layout and dimensions are subject to verification prior to installation.
- Dimensions in millimetres unless stated otherwise.

- AS4685.2021 CIRCULATION AREA
- AS4685.2021 FALL ZONE/IMPACT AREA
- AS4685.2021 FREE SPACE AREA

