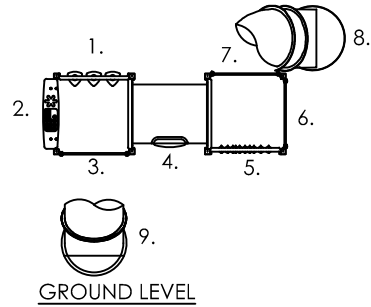
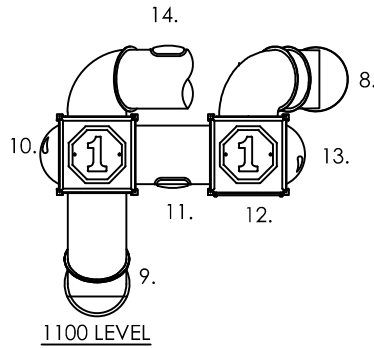


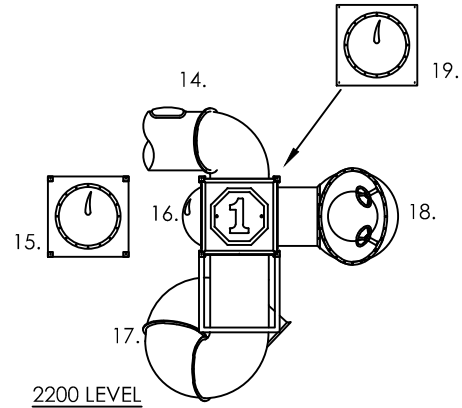
# DECK LAYOUT



GROUND LEVEL



1100 LEVEL

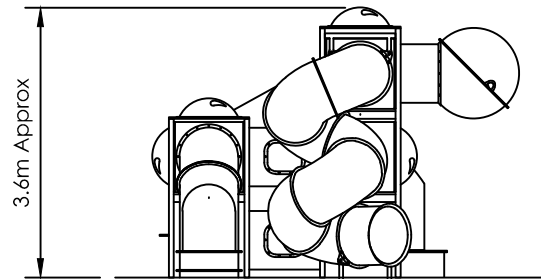
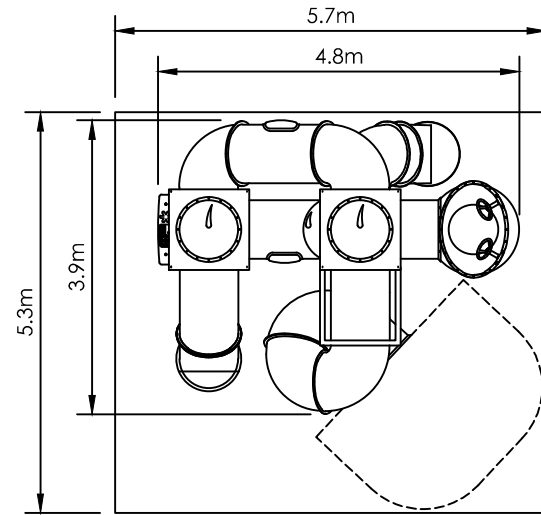


2200 LEVEL

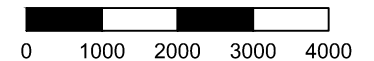
## LEGEND

1. NAUGHTS & CROSSES PANEL
2. COUNTER PANEL
3. ENTRY PANEL
4. 1M CRAWL TUBE W/ BUBBLE
5. ABACUS PANEL
6. ENTRY PANEL
7. WINDOWS PANEL
8. 90° TUBE CLIMBER
9. TUBE CLIMBER
10. BUBBLE PANEL
11. 1M CRAWL TUBE W/ BUBBLE
12. MAZE & WINDOW PANEL
13. BUBBLE PANEL
14. DK-DK TUBE CLIMBER W/ BUBBLE
15. BUBBLE ROOF
16. BUBBLE PANEL
17. SPIRAL SLIDE 2200 & SUPPORT FRAME
18. LOOKOUT POD
19. BUBBLE ROOF

# CTU-108 'CURLY CRIB'



SCALE = mm



APPROX AREA (sq.m.): 30.2 APPROX PERIMETER (lin.m.): 22.0

----- INDICATES SLIDE EXIT SAFETY AREA  
 \_\_\_\_\_ INDICATES RECOMMENDED AREA - 30.2 sq.m

OMNITECH PLAYGROUNDS  
 STANDARS DRAWING  
 CONTAINED PLAYGROUNDS

DRAWING No.:CTU-108 REV: A  
 DRN: B.Crichton SCALE 1:100  
 DATE: 22/10/14 SHEET 1 OF 1

- Heights above Playground surface are shown on decks and all play equipment. is. Ⓢ= 400mm  
 - Impact absorbing ground cover is required under and around all play equipment.  
 - The min. recommended fall zone around the entire play structure is shown. This zone is to be free of all tripping or collision hazards (ie. roots, rocks, border material, etc).  
 - Site layout and dimensions are subject to verification prior to installation.  
 - Dimensions in millimetres unless stated otherwise.



DO NOT SCALE

