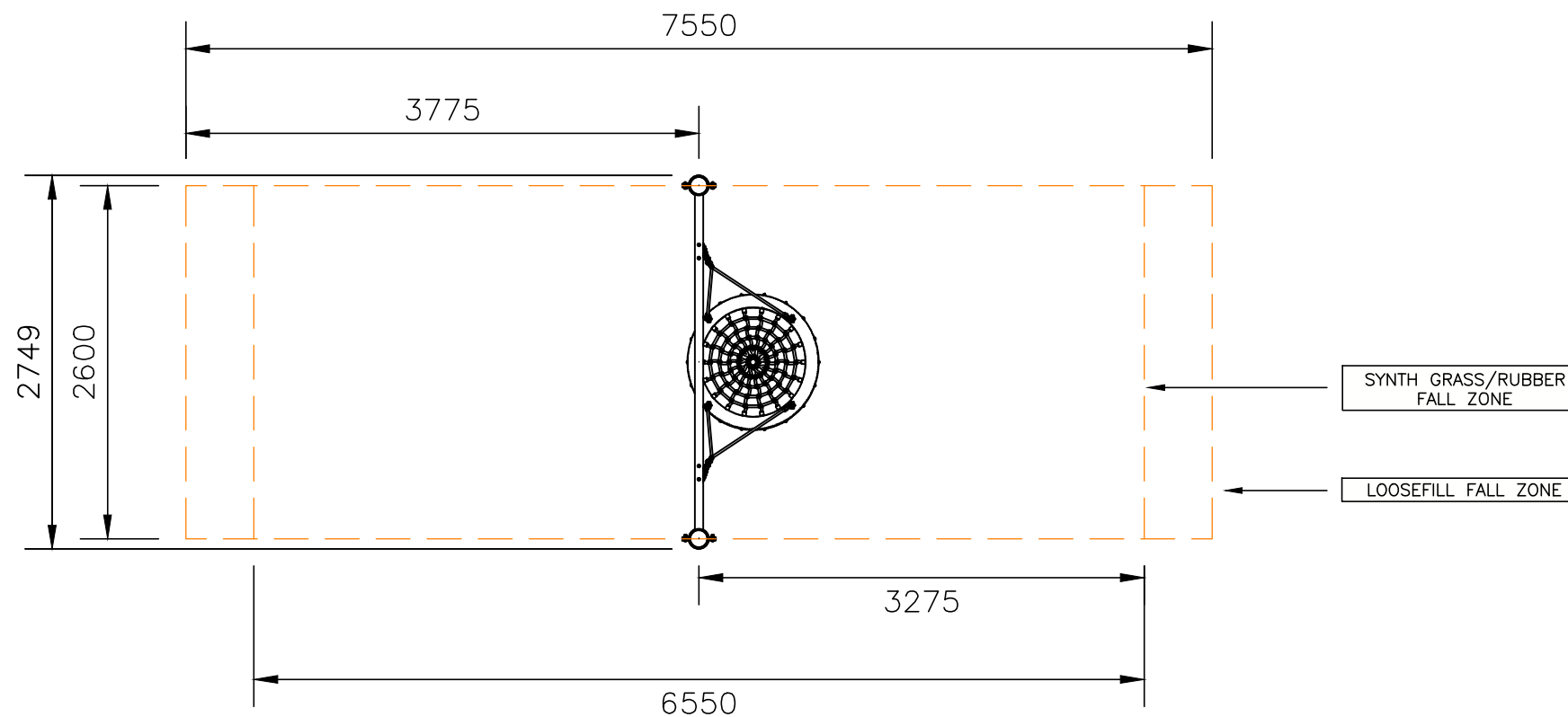


EQUIPMENT LIST

OMNITECH  
1M DIAM BASKET SEAT



SWING COLOURS:  
POSTS - CHARCOAL  
POST CAPS - HUNTER BLUE  
CROSS BAR - HUNTER BLUE

QUANTITIES	QTY TOTAL

NOTES:  
- Heights above Playground surface are shown on decks and all play equipment. ie. ⌀ = 400mm  
- Impact absorbing ground cover is required under and around all play equipment.

- The min. recommended fall zone around the entire play structure is shown. This zone is to be free of all tripping or collision hazards (ie. roots, rocks, border material, etc).  
- Site layout and dimensions are subject to verification prior to installation.  
- Dimensions in millimetres unless stated otherwise.

