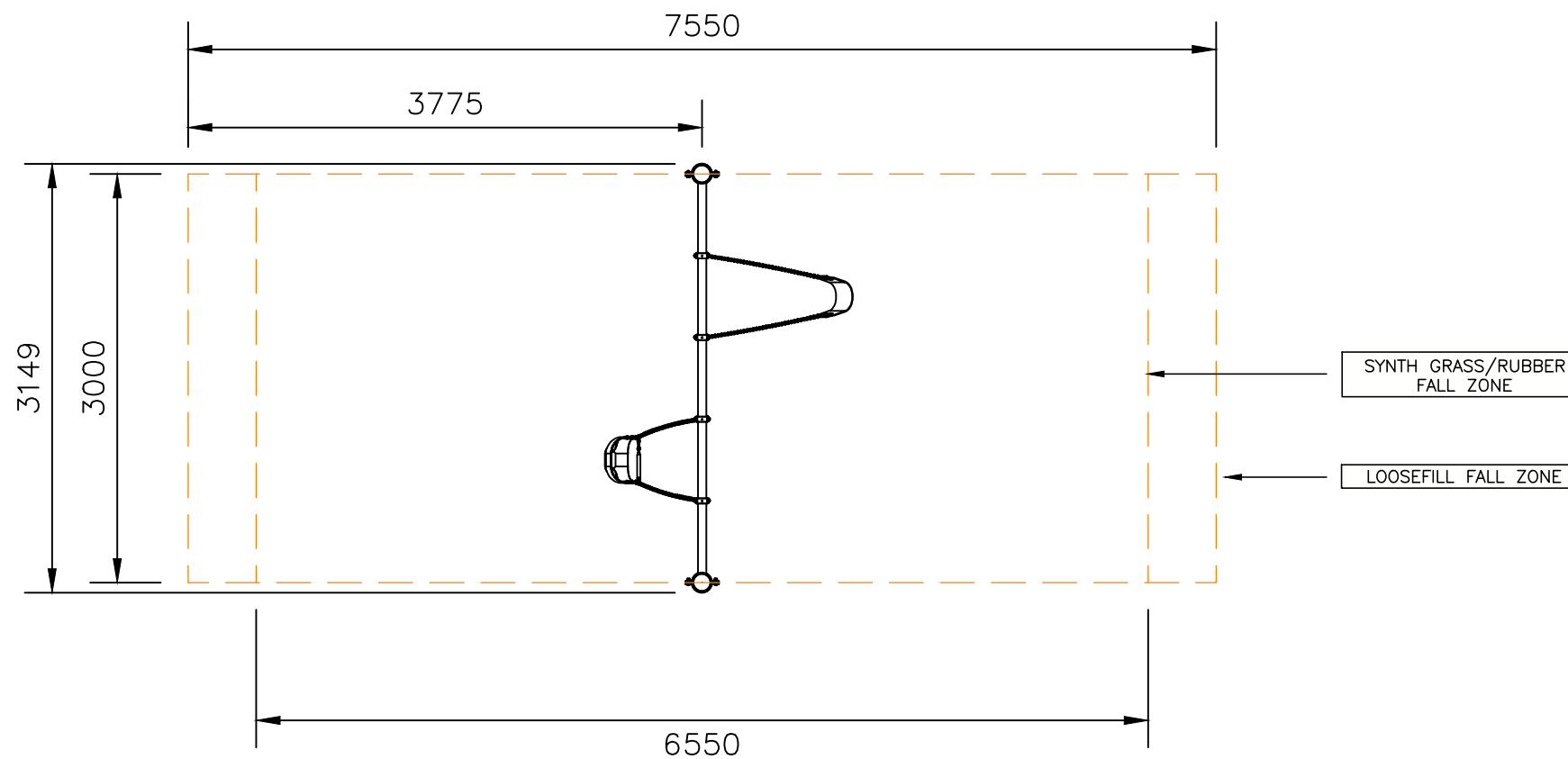


DRAWING NO: REV: A
 DATE: 23/11/2023
 DRN: M. PLANT PAGE SIZE: A3

EQUIPMENT LIST

- OMNITECH
 1. 1 BAY SWING WITH
 1X INFANT SEAT
 1X STRAP SEAT



SWING COLOURS:
 POSTS - CHARCOAL
 POST CAPS - HUNTER BLUE
 CROSS BAR - HUNTER BLUE

QUANTITIES	QTY TOTAL

NOTES:
 - Heights above Playground surface are shown on decks and all play equipment. ie. ⌀ = 400mm
 - Impact absorbing ground cover is required under and around all play equipment.

- The min. recommended fall zone around the entire play structure is shown. This zone is to be free of all tripping or collision hazards (ie. roots, rocks, border material, etc).
 - Site layout and dimensions are subject to verification prior to installation.
 - Dimensions in millimetres unless stated otherwise.

