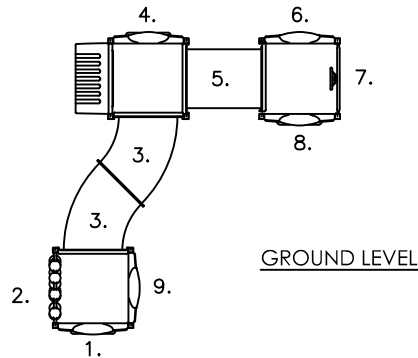
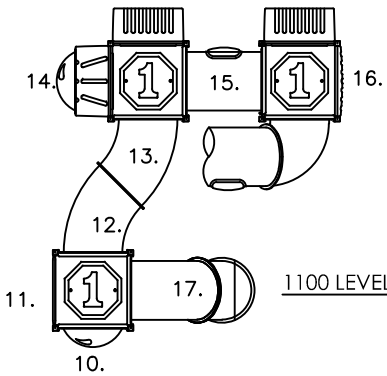


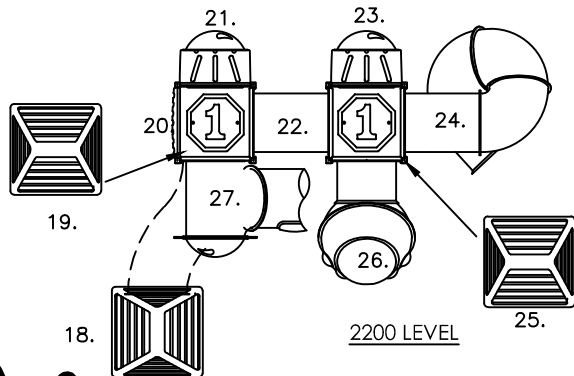
DECK LAYOUT



GROUND LEVEL



1100 LEVEL



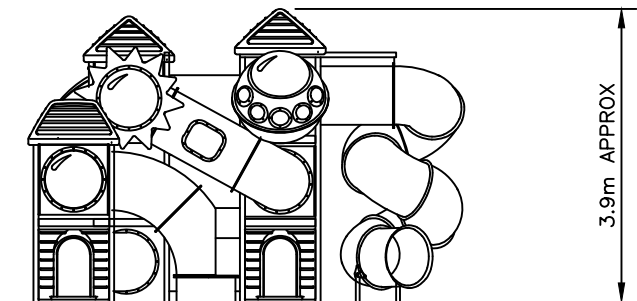
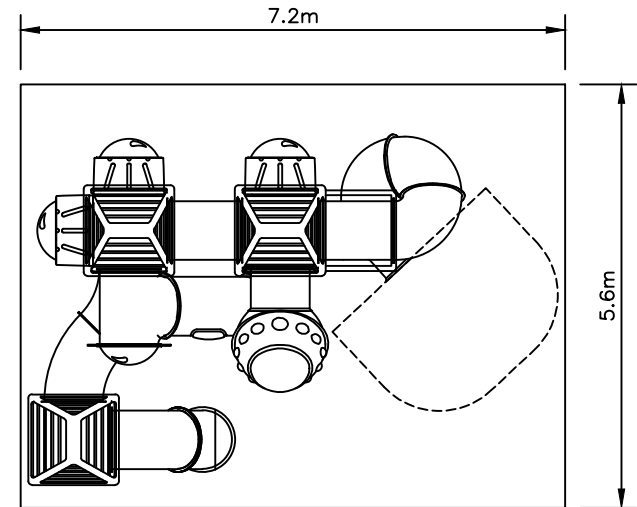
2200 LEVEL

----- INDICATES SLIDE EXIT SAFETY AREA
 _____ INDICATES RECOMMENDED AREA

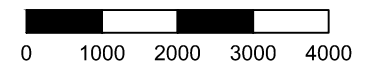
LEGEND

1. VILLAGE DOORWAY PANEL
2. ABACUS PANEL
3. DOUBLE 45° CRAWL TUBE
4. VILLAGE DOORWAY PANEL
5. 1M CRAWL TUBE
6. VILLAGE COUNTER PANEL
7. JAILBAR PANEL & WHEEL
8. VILLAGE DOORWAY PANEL
9. VILLAGE WINDOW PANEL
10. BUBBLE PANEL
11. JAILBAR PANEL
12. 45° CRAWL TUBE
13. 45° CRAWL TUBE
14. TOWER CLIMBER & BUBBLE
15. 1M CRAWL TUBE & BUBBLE
16. WIGGLY PANEL
17. TUBE CLIMBER 1100
18. VILLAGE ROOF
19. VILLAGE ROOF (ABOVE)
20. WIGGLY PANEL
21. TOWER CLIMBER & BUBBLE
22. 1M CRAWL TUBE
23. TOWER CLIMBER & BUBBLE
24. SPIRAL SLIDE 2200 & SUPPORT FRAME
25. VILLAGE ROOF
26. SPACE POD
27. DK-DK TEE TUBE CLIMBER & BUBBLE SUN

CTU-106 'SPACEPOD SPIRAL'



SCALE = mm



APPROX AREA (sq.m.): 40.3 APPROX PERIMETER (lin.m.): 25.6

CTU-106: SPACEPOD SPIRAL
 CONTAINED UNIT
 STANDARD DRAWING

DRAWING No.: CTU-106 REV: B

DRN: LB SCALE 1:100 SIZE
 DATE: 01/07/15 SHEET 1 OF 1 A4

- Heights above Playground surface are shown on decks and all play equipment. is. (3) = 40mm
- Impact absorbing ground cover is required under and around all play equipment.
- The min. recommended fall zone around the entire play structure is shown. This zone is to be free of all tripping or collision hazards (ie. roots, rocks, border material, etc).
- Site layout and dimensions are subject to verification prior to installation.
- Dimensions in millimetres unless stated otherwise.

