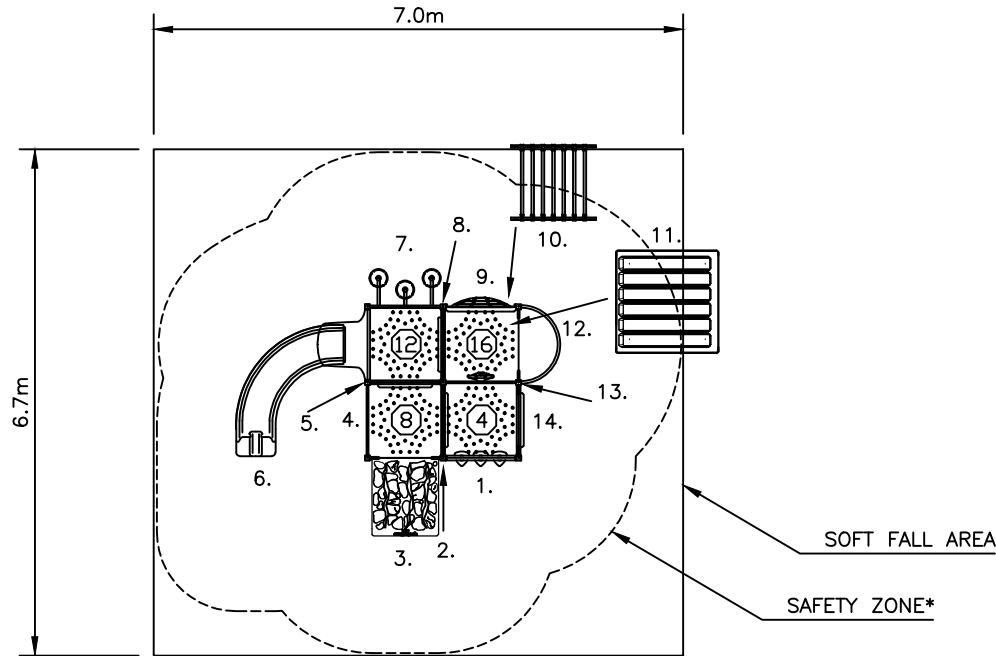


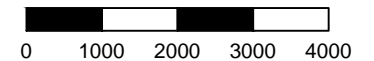
DO NOT SCALE



1. NAUGHTS & CROSSES PANEL
2. STEP PANEL & SAFETY LOOPS
3. ROCKY RAMBLE DK-GRND 800
4. STEEL ARCH PANEL
5. STEP PANEL & SAFETY LOOPS
6. HOODED CURVED CATERPILLAR SLIDE
7. POMMEL CLIMBER 1200
8. STEP PANEL & SAFETY LOOPS
9. EYE SPY PANEL
10. SQUEEZE BARS (UNDER)
11. ARC ROOF
12. FIREPOLE 1600
13. STEEL ARCH PANEL & WHEEL
14. STEP PANEL & SAFETY LOOPS

212-TENEIL
MAX FHF: 1.6M

SCALE = mm



*AS 4685:2014

APPROX AREA (sq.m.): 46.9 APPROX PERIMETER (lin.m.): 27.4

212 - TENEIL
EXTREME UNIT
STANDARD DRAWING

DRAWING No.: 212

REV: A

DRN: A. DYSON
DATE: 28/07/14

SCALE 1:100
SHEET 1 OF 1

SIZE
A4

- Heights above Playground surface are shown on decks and all play equipment, is. Ⓢ = 400mm
- Impact absorbing ground cover is required under and around all play equipment.
- The min. recommended fall zone around the entire play structure is shown. This zone is to be free of all tripping or collision hazards (i.e. roots, rocks, border material, etc).
- Site layout and dimensions are subject to verification prior to installation.
- Dimensions in millimetres unless stated otherwise.

