



THIS DRAWING IS INDICATIVE ONLY (NOT FOR CONSTRUCTION)



AUSTEK PLAY

UNI PLAY LAVON

CONSULTANT: AUSTEK PLAY

DRAWING No.: - REV: A

DATE: 23/07/2021

DRN: M. PLANT PAGE SIZE: A3

EQUIPMENT LIST

HAGS  
MODULAR PLAY SYSTEMS

UNI PLAY -  
LAVON

8071510: PC STEEL POSTS / HPL  
PANELS, BEIGE, SUNKEN FOUNDATION

8071505: PC STEEL POSTS / HPL  
PANELS, GREEN, SUNKEN FOUNDATION

8071514: PC STEEL POSTS / HPL  
PANELS, RED, SUNKEN FOUNDATION

8071524: STAINLESS STEEL POSTS /  
HPL PANELS, BEIGE, SUNKEN  
FOUNDATION

8071518: STAINLESS STEEL POSTS /  
HPL PANELS, GREEN, SUNKEN  
FOUNDATION

8071528: STAINLESS STEEL POSTS /  
HPL PANELS, RED, SUNKEN  
FOUNDATION

8071068: WOODEN POSTS / HPL  
PANELS, BEIGE, SUNKEN FOUNDATION

8071501: WOODEN POSTS / HPL  
PANELS, RED, SUNKEN FOUNDATION

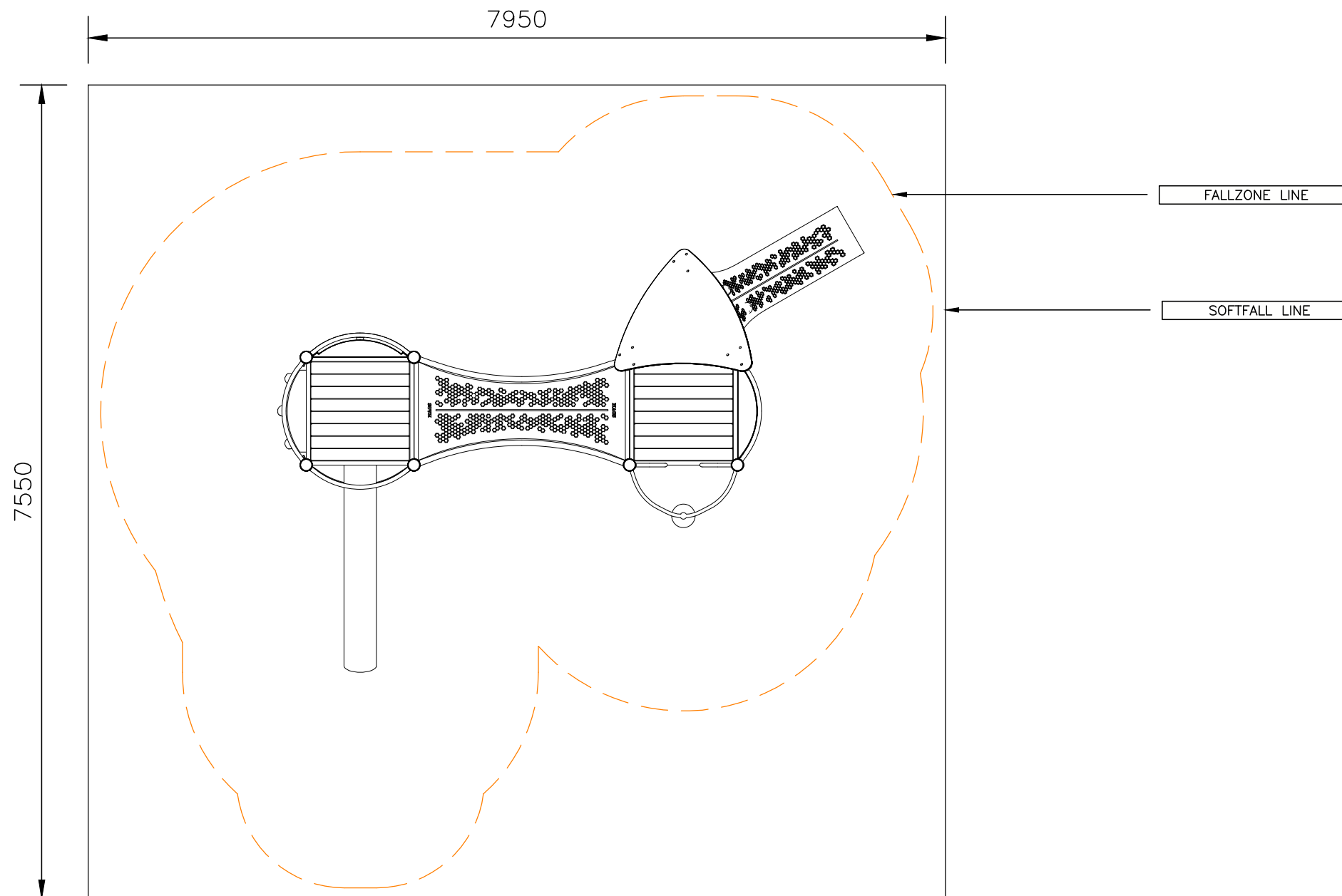
8071485: WOODEN POSTS / HPL  
PANELS, GREEN, SUNKEN FOUNDATION

8071471: WOODEN POSTS / PANELS,  
BROWN, SUNKEN FOUNDATION

8071475: WOODEN POSTS / PANELS,  
RED, SUNKEN FOUNDATION

8071464: WOODEN POSTS / PANELS,  
GREEN, SUNKEN FOUNDATION

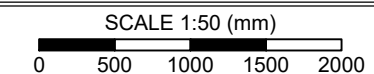
ALSO AVAILABLE:  
ABOVE GROUND  
LOOSE FILL  
CAST IN PLACE



MAX FHF: 1.9M

NOTES:  
- Heights above Playground surface are shown on decks and all play equipment. ie. Ⓞ = 400mm  
- Impact absorbing ground cover is required under and around all play equipment.

- The min. recommended fall zone around the entire play structure is shown. This zone is to be free of all tripping or collision hazards (ie. roots, rocks, border material, etc).  
- Site layout and dimensions are subject to verification prior to installation.  
- Dimensions in millimetres unless stated otherwise.



QUANTITIES	QTY TOTAL
SOFTFALL EDGING	31 (lm)
SOFTFALL AREA	61 (m²)
FALLZONE EDGING	26 (lm)
FALLZONE AREA	41 (m²)