



THIS DRAWING IS INDICATIVE ONLY (NOT FOR CONSTRUCTION)



AUSTEK PLAY

UNI PLAY SUNGAM

CONSULTANT: AUSTEK PLAY

DRAWING No.: - REV: A

DATE: 23/07/2021

DRN: M. PLANT PAGE SIZE: A3

EQUIPMENT LIST

HAGS
MODULAR PLAY SYSTEMS

UNI PLAY -
SUNGAM

8071599: PC STEEL POSTS,
GREEN, SUNKEN FOUNDATION

8071603: PC STEEL POSTS,
RED, SUNKEN FOUNDATION

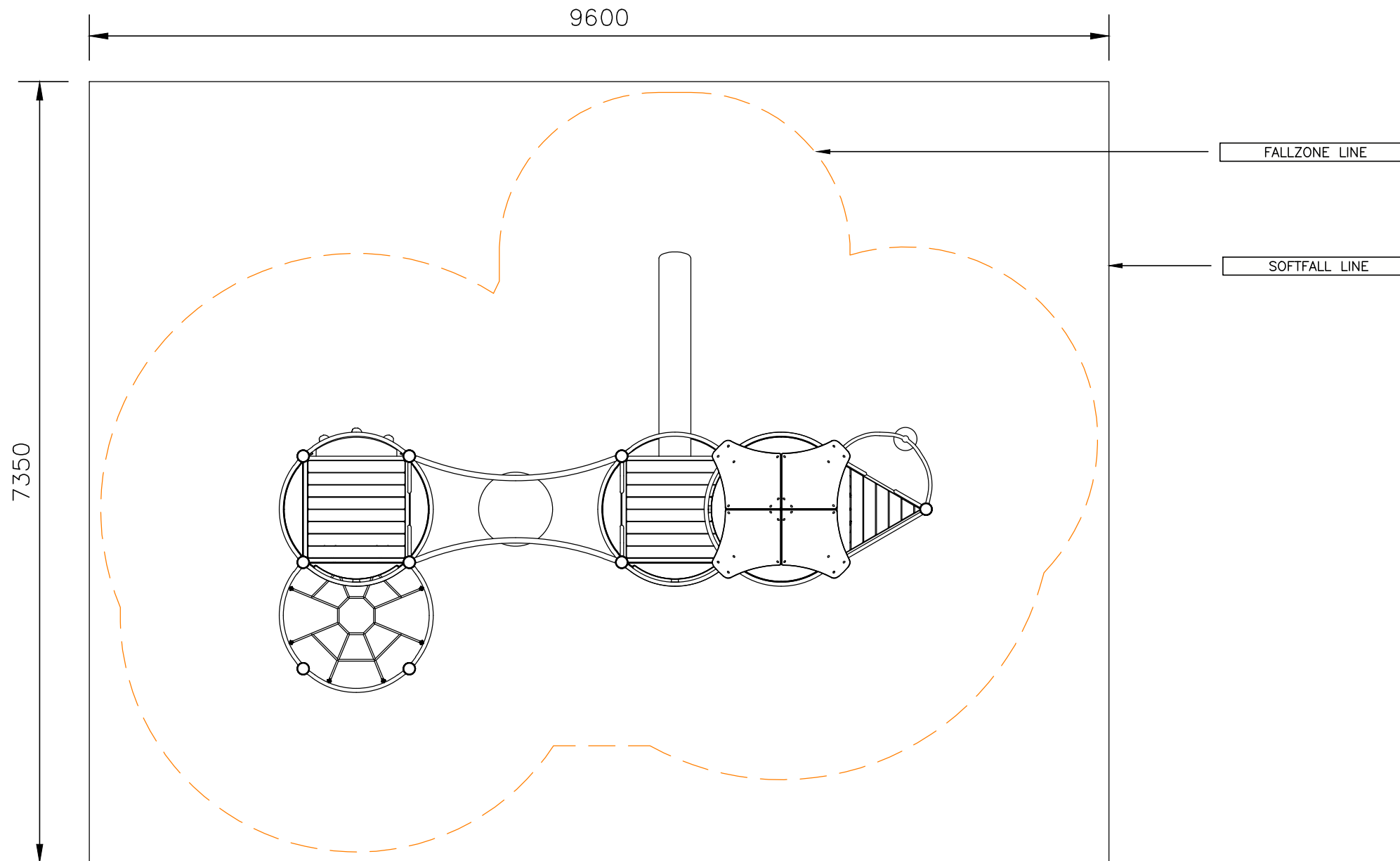
8071075: WOODEN POSTS,
GREEN, SUNKEN FOUNDATION

8071595: WOODEN POSTS, RED,
SUNKEN FOUNDATION

8071620: STAINLESS STEEL
POSTS, GREEN, SUNKEN
FOUNDATION

8071628: STAINLESS STEEL
POSTS, RED, SUNKEN
FOUNDATION

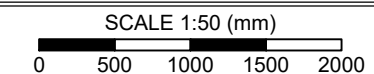
ALSO AVAILABLE:
ABOVE GROUND
CAST IN PLACE
LOOSE FILL



MAX FHF: 2.0M

NOTES:
- Heights above Playground surface are shown on decks and all play equipment. i.e. Ⓞ = 400mm
- Impact absorbing ground cover is required under and around all play equipment.

- The min. recommended fall zone around the entire play structure is shown. This zone is to be free of all tripping or collision hazards (i.e. roots, rocks, border material, etc).
- Site layout and dimensions are subject to verification prior to installation.
- Dimensions in millimetres unless stated otherwise.



QUANTITIES	QTY TOTAL
SOFTFALL EDGING	34 (lm)
SOFTFALL AREA	71 (m²)
FALLZONE EDGING	28 (lm)
FALLZONE AREA	47 (m²)