



THIS DRAWING IS INDICATIVE ONLY (NOT FOR CONSTRUCTION)



AUSTEK PLAY

NATURE PLAY TILLBO

CONSULTANT: AUSTEK PLAY

DRAWING No.: - REV: A

DATE: 19/07/2021

DRN: M. PLANT PAGE SIZE: A3

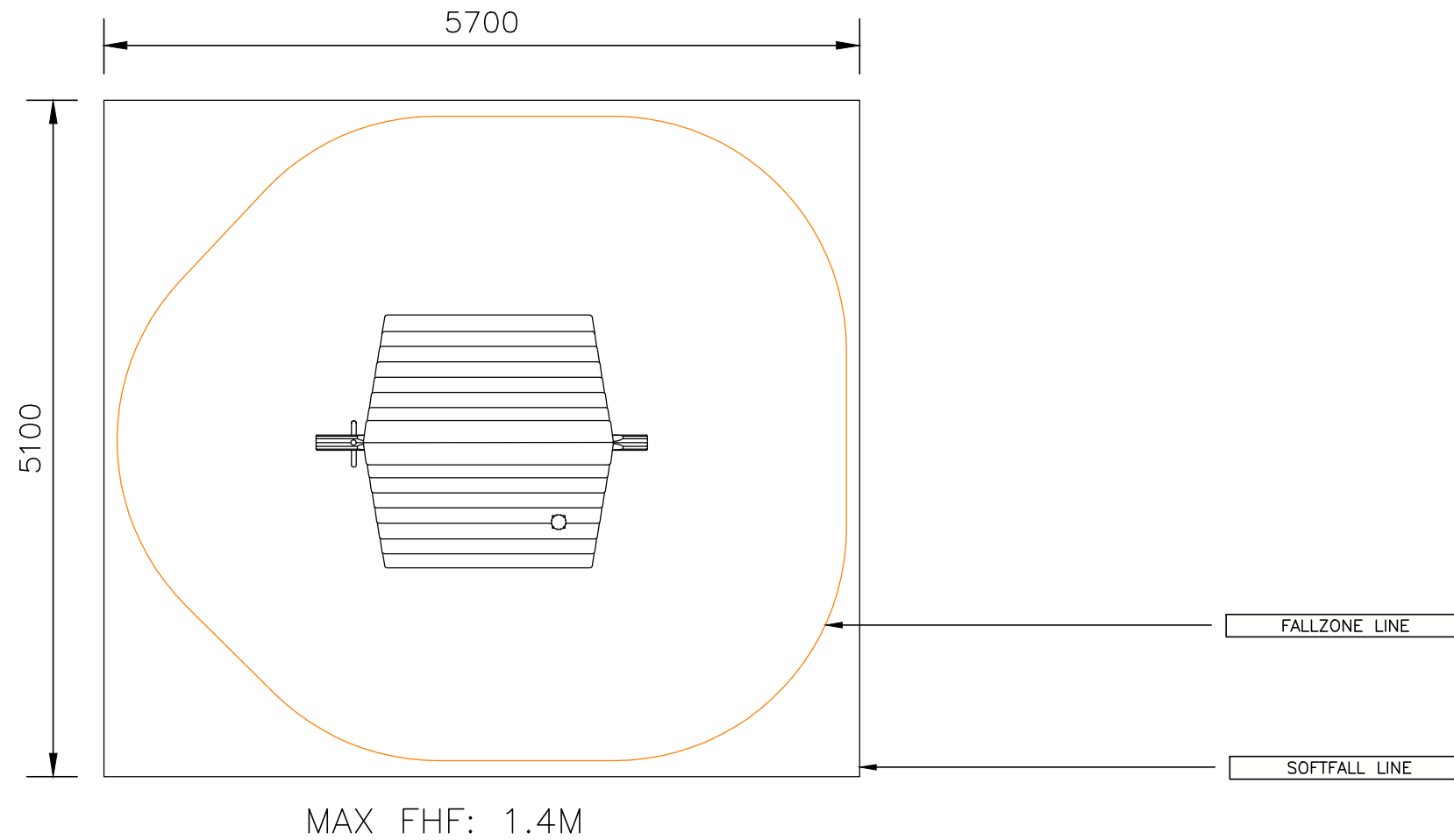
EQUIPMENT LIST

HAGS
MULTI FUNCTION PLAY SYSTEMS

NATURE PLAY -
TILLBO

8066008: COLOUR, CAST IN
PLACE

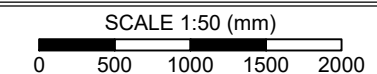
8064254: NATURAL, CAST IN
PLACE



NOTES:

- Heights above Playground surface are shown on decks and all play equipment. ie. Ⓞ = 400mm
- Impact absorbing ground cover is required under and around all play equipment.

- The min. recommended fall zone around the entire play structure is shown. This zone is to be free of all tripping or collision hazards (ie. roots, rocks, border material, etc).
- Site layout and dimensions are subject to verification prior to installation.
- Dimensions in millimetres unless stated otherwise.



| QUANTITIES | QTY TOTAL |
|-----------------|-----------|
| SOFTFALL EDGING | 22 (lm) |
| SOFTFALL AREA | 30 (m²) |
| FALLZONE EDGING | 17 (lm) |
| FALLZONE AREA | 23 (m²) |