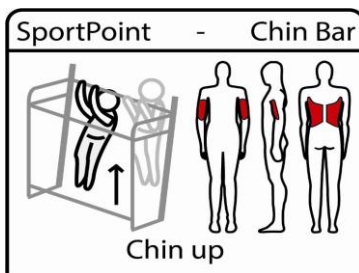
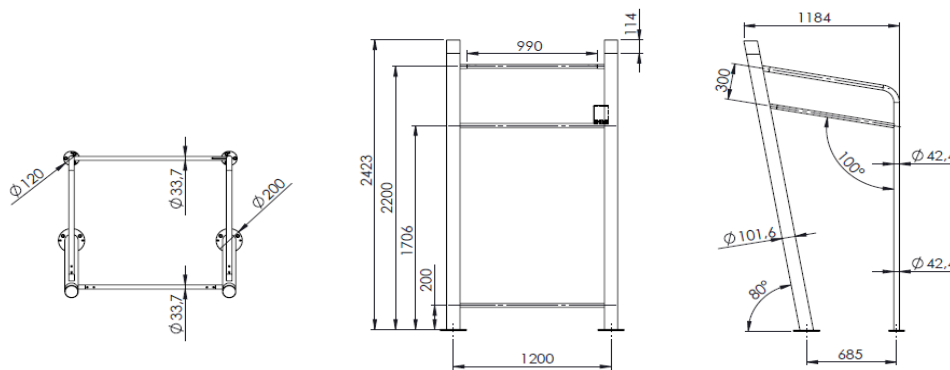
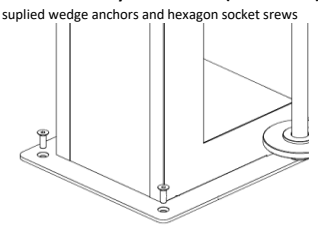
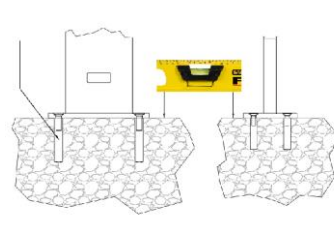
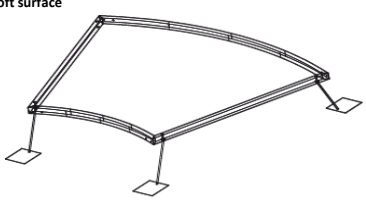
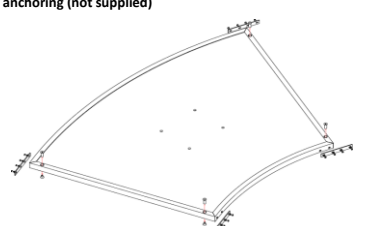


Technical information Professional SportPoint - ChinBar



ChinBar	The basic exercise is Chin up, follow the instruction pictogram. Many alternative exercises are possible on the ChinBar. Check out the QR code that leads to all training possibilities.
Accessories	Sticker with instruction pictogram and QR code
Material	Bench and posts hot zinc flame sprayed protected and Gris Sable 2400 textured powder coated steel. The beams are stainless steel 304, ceramic pearled. Inlay part and tops textured powder coated steel plate in many different colours. Floor parts are hot dipped galvanized and coated with 10-15 mm black wet pour.
Dimensions material	Round tubes/handles: $\varnothing 42,4 \times 3 \text{ mm}$ / $\varnothing 33,7 \times 3 \text{ mm}$ Floor: $2400 \times 1720 \times 60 \text{ mm}$ Posts: $\varnothing 101,6 \times 2,75 \text{ mm}$
area of movement	18,57 m ² . This does not apply when Sportpoint floors are connected.
fall protection	not needed
Weight:	Product: 70 kg Floor = 155 kg
Assembly	Preassembled sections - Optional: mounted on own floor
free height of fall	1200 mm
Asian version	the product is smaller, please check the drawing on the stack
intended for	adults and youth > 1400 mm
max. user weight	120 kg

Anchoring	Installation directly on concrete (not tarmac) Use supplied wedge anchors and hexagon socket screws	
		
	Installation on own floor part in soft surface	on concrete: with supplied wedge anchors and screws on tarmac: with chemical anchoring (not supplied)
		
	When 3 or more floors are connected no anchoring into the ground is needed	

Certification:	EN16630:2015 - for permanently installed outdoor fitness equipment
Notice:	Not intended for children < 1400 mm The Denfit Professional equipment should not be used if you are suffering from physiological problems. Avoid exaggerated physical exhaustion. In case of doubt please contact your doctor before use. Inspect the equipment before use. Don't use it if it appears damaged or inoperable.