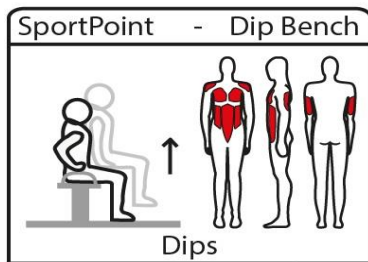
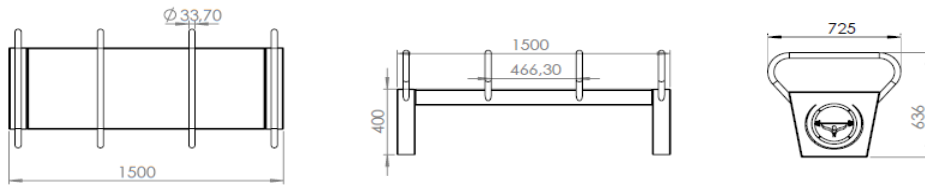
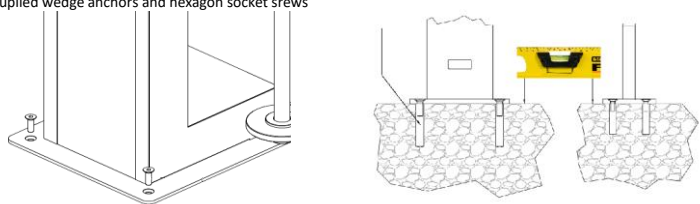
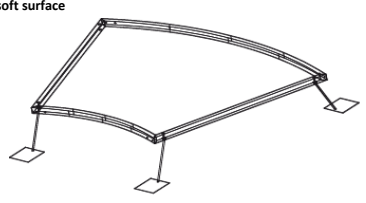
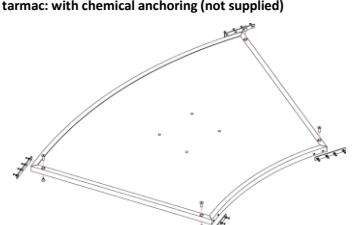


## Technical information Professional SportPoint - Dipbench 3



<b>Squat</b>	The basic exercise is Squat, follow the instruction pictogram. Many alternative exercises are possible on the Squat. Check out the QR code that leads to all training possibilities.
<b>Accessories</b>	Sticker with instruction pictogram and QR code
<b>Material</b>	Bench and posts hot zinc flame sprayed protected and Gris Sable 2400 textured powder coated steel. The beams are stainless steel 304, ceramic pearled. Inlay part and tops textured powder coated steel plate in many different colours. Floor parts are hot dipped galvanized and coated with 10-15 mm black wet pour.
<b>Dimensions material</b>	Round tubes/handles: Ø 42,4 x 3 mm / Ø33,7 x 3 mm Floor: 2400 x 1720 x 60 mm Posts: Ø 101,6 x 2,75 mm
<b>area of movement</b>	18,48 m <sup>2</sup> . This does not apply when Sportpoint floors are connected.
<b>fall protection</b>	not needed
<b>Weight:</b>	Product: 150 kg (incl. weights) Floor = 155 kg
<b>Assembly</b>	Preassembled sections - Optional: mounted on own floor
<b>free height of fall</b>	0 mm
<b>intended for</b>	adults and youth > 1400 mm
<b>weights</b>	each side has 7 adjustable weights of 5 kg per piece - optional is weights of 2 kg each - the empty bar weighs 10kg, this is the start training resistance
<b>Asian version</b>	each side has 7 adjustable weights of 2 kg per piece - the product is smaller, please check the stack drawing
<b>max. user weight</b>	120 kg

<b>Anchoring</b>	<p><b>Installation directly on concrete (not tarmac)</b> Use supplied wedge anchors and hexagon socket screws</p>  <p><b>Installation on own floor part in soft surface</b></p>  <p>on concrete: with supplied wedge anchors and screws on tarmac: with chemical anchoring (not supplied)</p> 
	When 3 or more floors are connected no anchoring into the ground is needed

<b>Certification:</b>	EN16630:2015 - for permanently installed outdoor fitness equipment
<b>Notice:</b>	<p>Not intended for children &lt; 1400 mm</p> <p>The Denfit Professional equipment should not be used if you are suffering from physiological problems.</p> <p>Avoid exaggerated physical exhaustion. In case of doubt please contact your doctor before use.</p> <p>Inspect the equipment before use. Don't use it if it appears damaged or inoperable.</p>