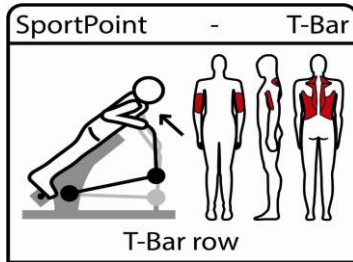
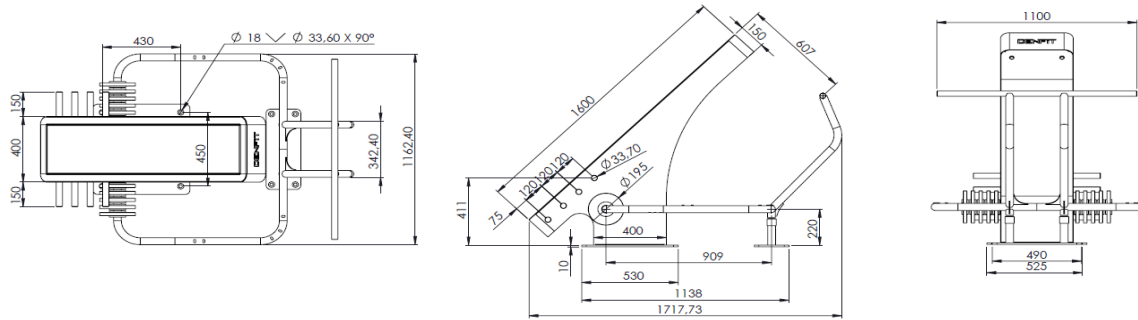
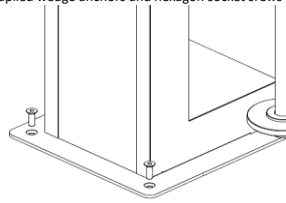
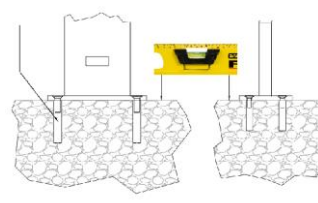


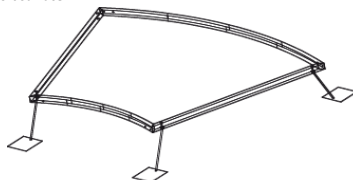
Technical information Professional SportPoint - T-Bar



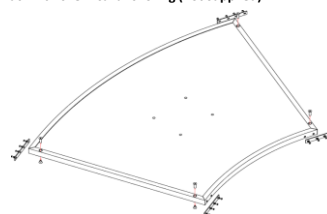
T-Bar	The basic exercise is T-Bar row, follow the instruction pictogram. Many alternative exercises are possible on the T-Bar. Check out the QR code that leads to all training possibilities.
Accessories	Sticker with instruction pictogram and QR code
Material	Bench and posts hot zinc flame sprayed protected and Gris Sable 2400 textured powder coated steel. The beams are stainless steel 304, ceramic pearled. Inlay part and tops textured powder coated steel plate in many different colours. Floor parts are hot dipped galvanized and coated with 10-15 mm black wet pour.
Dimensions material	Round tubes/handles: \varnothing 42,4 x 3 mm / \varnothing 33,7 x 3 mm Floor: 2400 x 1720 x 60 mm
area of movement	20,1 m ² . This does not apply when Sportpoint floors are connected.
fall protection	not needed
Weight:	Product: 120 kg (incl. weights) Floor = 155 kg
Assembly	Preassembled sections - Optional: mounted on own floor
free height of fall	400 mm
intended for	adults and youth > 1400 mm
weights	each side has 5 adjustable weights of 5 kg per piece - start resistance without weights is 15kg
weights prison version	each side has 6 adjustable weights of 5 kg per piece - start resistance without weights is 15kg
Asian version	each side has 5 adjustable weights of 2 kg per piece - start resistance without weights is 15 kg - the product is smaller, please check the stack drawing
max. user weight	120 kg

Anchoring	Installation directly on concrete (not tarmac) Use supplied wedge anchors and hexagon socket screws	
		

Installation on own floor part in soft surface



on concrete: with supplied wedge anchors and screws
on tarmac: with chemical anchoring (not supplied)



When 3 or more floors are connected no anchoring into the ground is needed
EN16630:2015 - for permanently installed outdoor fitness equipment

Certification:	EN16630:2015 - for permanently installed outdoor fitness equipment
Notice:	Not intended for children < 1400 mm The Denfit Professional equipment should not be used if you are suffering from physiological problems. Avoid exaggerated physical exhaustion. In case of doubt please contact your doctor before use. Inspect the equipment before use. Don't use it if it appears damaged or inoperable.