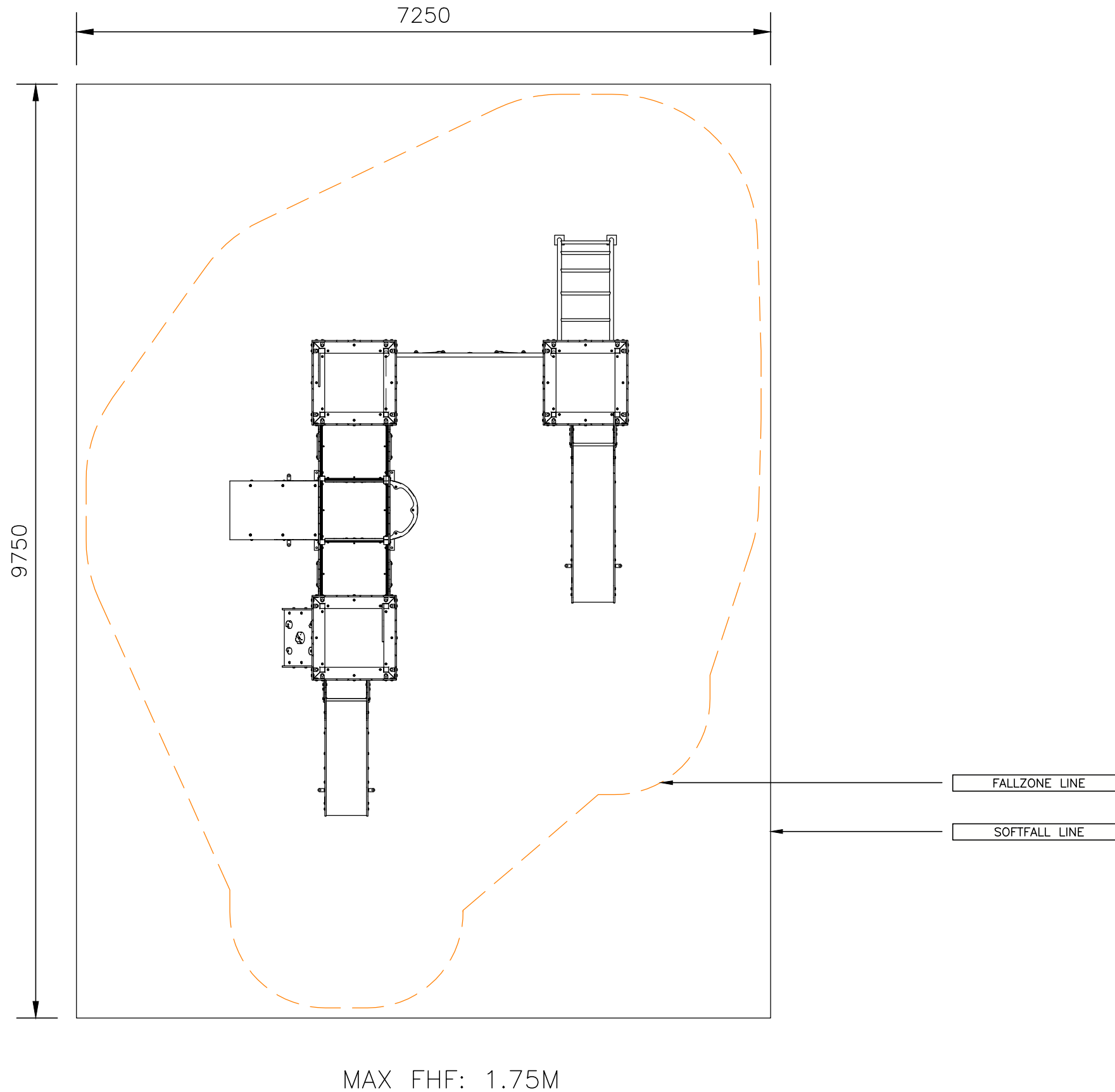




THIS DRAWING IS INDICATIVE ONLY (NOT FOR CONSTRUCTION)



AUSTEK PLAY

CC 12-3003

CONSULTANT: AUSTEK PLAY

DRAWING No.: - REV: A

DATE: 28/07/2021

DRN: M. PLANT PAGE SIZE: A3

EQUIPMENT LIST

QUALI-CITÉ
PLAYGROUNDS

CITY CASTLE -
CC 12-3003

QUANTITIES	QTY TOTAL
SOFTFALL EDGING	34 (lm)
SOFTFALL AREA	71 (m ²)
FALLZONE EDGING	27 (lm)
FALLZONE AREA	49 (m ²)

NOTES:
 - Heights above Playground surface are shown on decks and all play equipment. ie. Ⓞ = 400mm
 - Impact absorbing ground cover is required under and around all play equipment.

- The min. recommended fall zone around the entire play structure is shown. This zone is to be free of all tripping or collision hazards (ie. roots, rocks, border material, etc).
 - Site layout and dimensions are subject to verification prior to installation.
 - Dimensions in millimetres unless stated otherwise.

