



THIS DRAWING IS INDICATIVE ONLY (NOT FOR CONSTRUCTION)



AUSTEK PLAY

CI 06-1002

CONSULTANT: AUSTEK PLAY

DRAWING No.: - REV: A

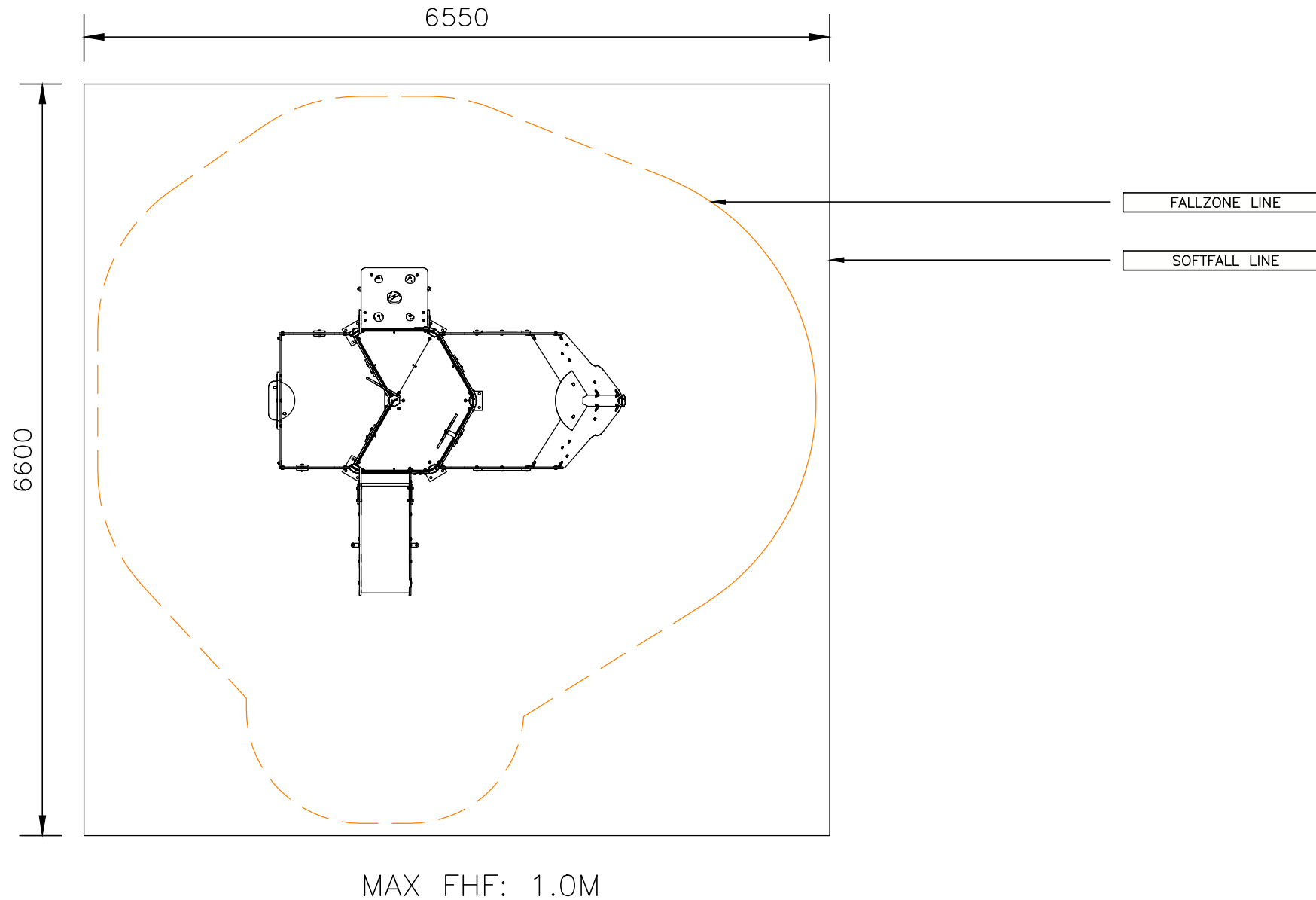
DATE: 11/08/2021

DRN: M. PLANT PAGE SIZE: A3

EQUIPMENT LIST

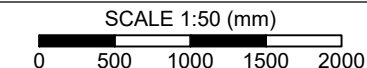
QUALI-CITÉ
PLAYGROUNDS

CITY VESSEL -
CI 06-1002



NOTES:
 - Heights above Playground surface are shown on decks and all play equipment. ie. Ⓞ = 400mm
 - Impact absorbing ground cover is required under and around all play equipment.

- The min. recommended fall zone around the entire play structure is shown. This zone is to be free of all tripping or collision hazards (ie. roots, rocks, border material, etc).
 - Site layout and dimensions are subject to verification prior to installation.
 - Dimensions in millimetres unless stated otherwise.



QUANTITIES	QTY TOTAL
SOFTFALL EDGING	27 (lm)
SOFTFALL AREA	44 (m²)
FALLZONE EDGING	20 (lm)
FALLZONE AREA	30 (m²)