



THIS DRAWING IS INDICATIVE ONLY (NOT FOR CONSTRUCTION)



AUSTEK PLAY

RE 228

CONSULTANT: AUSTEK PLAY

DRAWING No.: - REV: A

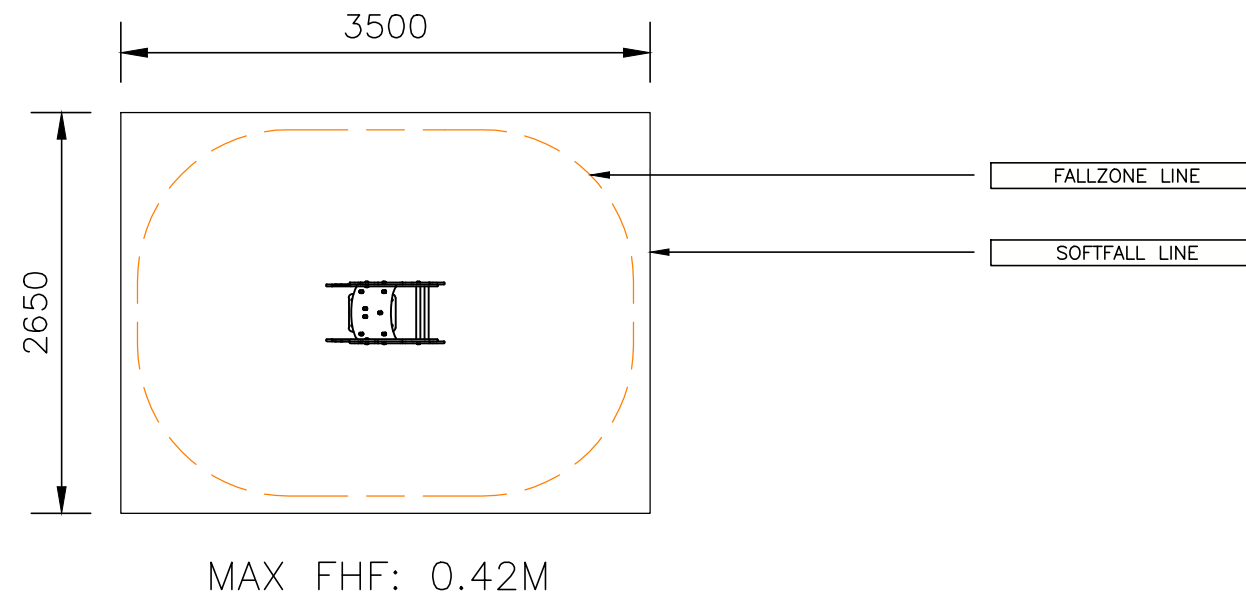
DATE: 18/08/2021

DRN: M. PLANT PAGE SIZE: A3

EQUIPMENT LIST

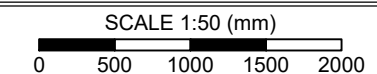
QUALI-CITÉ  
PLAYGROUNDS

SPRINGER -  
RE 228



NOTES:  
- Heights above Playground surface are shown on decks and all play equipment. ie. Ⓞ = 400mm  
- Impact absorbing ground cover is required under and around all play equipment.

- The min. recommended fall zone around the entire play structure is shown. This zone is to be free of all tripping or collision hazards (ie. roots, rocks, border material, etc).  
- Site layout and dimensions are subject to verification prior to installation.  
- Dimensions in millimetres unless stated otherwise.



QUANTITIES	QTY TOTAL
SOFTFALL EDGING	13 (lm)
SOFTFALL AREA	10 (m²)
FALLZONE EDGING	10 (lm)
FALLZONE AREA	8 (m²)