



THIS DRAWING IS INDICATIVE ONLY (NOT FOR CONSTRUCTION)



AUSTEK PLAY

NRG CAPE HORN

CONSULTANT: AUSTEK PLAY

DRAWING No.: - REV: A

DATE: 20/07/2021

DRN: M. PLANT PAGE SIZE: A3

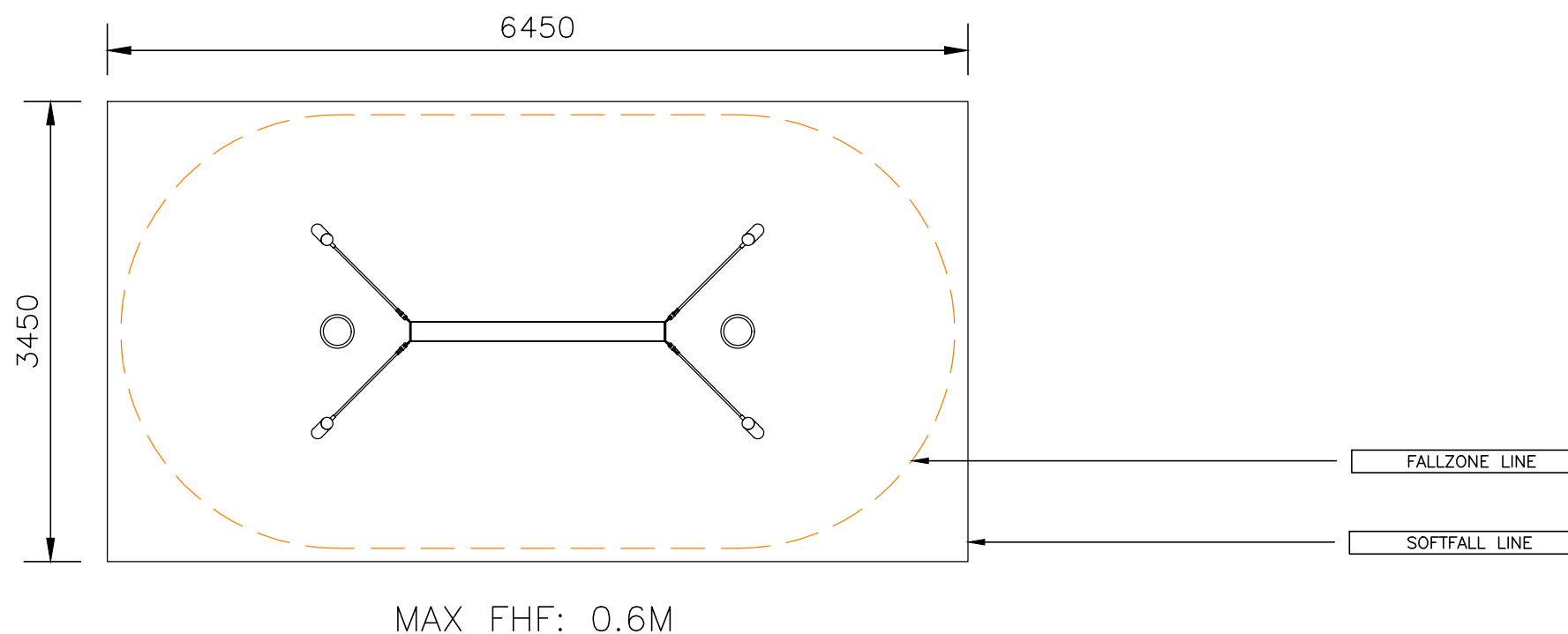
EQUIPMENT LIST

HAGS
MULTI FUNCTION PLAY SYSTEMS

NRG -
CAPE HORN

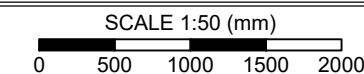
8079868: RED, CAST IN PLACE

8079869: GREEN, CAST IN PLACE



NOTES:
- Heights above Playground surface are shown on decks and all play equipment. ie. Ⓞ = 400mm
- Impact absorbing ground cover is required under and around all play equipment.

- The min. recommended fall zone around the entire play structure is shown. This zone is to be free of all tripping or collision hazards (ie. roots, rocks, border material, etc).
- Site layout and dimensions are subject to verification prior to installation.
- Dimensions in millimetres unless stated otherwise.



QUANTITIES	QTY TOTAL
SOFTFALL EDGING	20 (lm)
SOFTFALL AREA	23 (m²)
FALLZONE EDGING	17 (lm)
FALLZONE AREA	19 (m²)