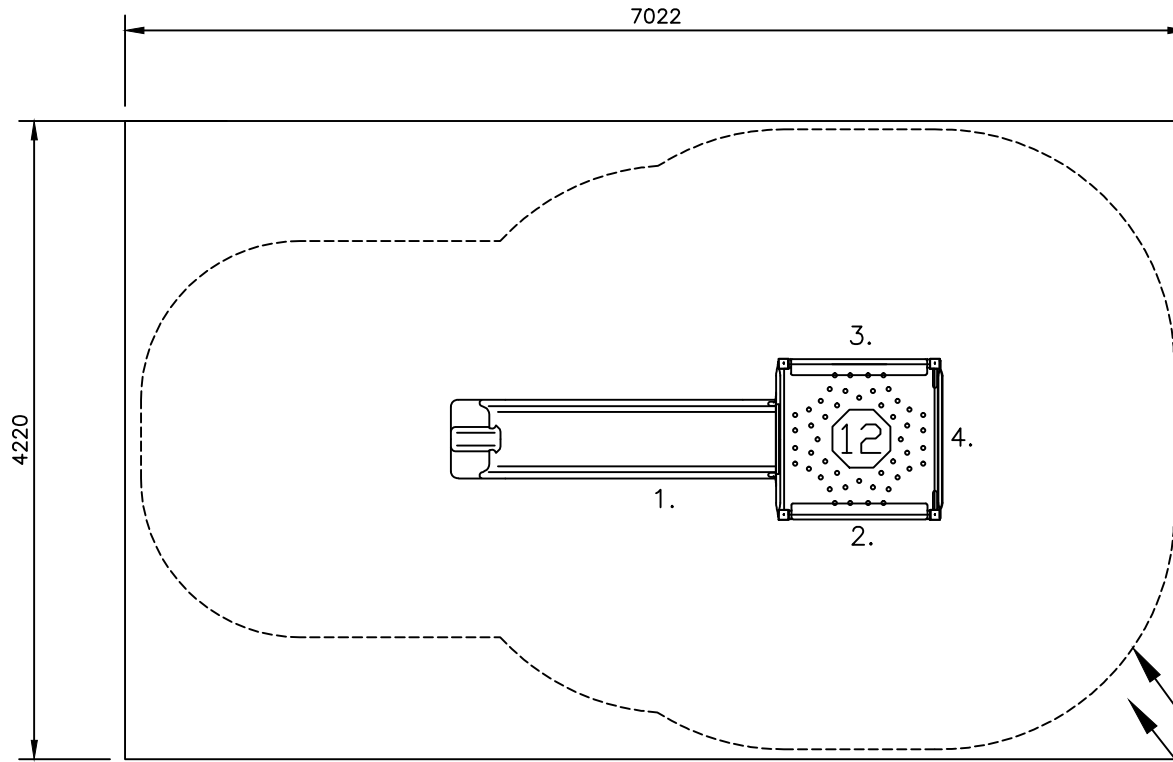


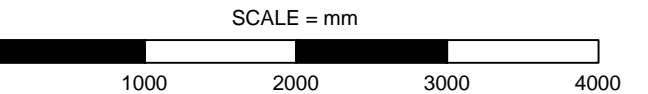
THIS DRAWING IS INDICATIVE ONLY



1. CATERPILLAR SLIDE 1200 W/ ENTRY PANEL
2. OBLIQUE PANEL
3. OBLIQUE PANEL
4. 1200 RAIL LADDER

SLDP2015-1200 FREESTANDING SLIDE  
MAX FHF: 1.2M

DO NOT SCALE



APPROX AREA (sq.m.): 29.6 APPROX PERIMETER (lin.m.): 22.4

FREESTANDING SLIDE  
1200 CATERPILLAR  
STANDARD DRAWING

DRAWING No.: SLDP2015 REV: A

DRN: R. CROOKE SCALE 1:50 SIZE  
DATE: 13/09/17 SHEET 1 OF 1 A4

- Heights above Playground surface are shown on decks and all play equipment, is. Ⓢ = 400mm
- Impact absorbing ground cover is required under and around all play equipment.
- The min. recommended fall zone around the entire play structure is shown. This zone is to be free of all tripping or collision hazards (i.e. roots, rocks, border material, etc).
- Site layout and dimensions are subject to verification prior to installation.
- Dimensions in millimetres unless stated otherwise.

