

MULTIPLAY GROUP / MOTION SERIES

MGMS 102



Product Information

Dimensions (L x W x H)	: 4,65 x 2,25 x 4,5m
Age Group	: 3+
Capacity	: 13
Fall Height	: 2,0 m
Safety Area	: 33,2 m ²



MULTIPLAY GROUP / MOTION SERIES

Motions, are modular playground series of abstract themed posts and platforms with modular multi-play stations that can grow and get smaller according to demand and space. Since the game stations placed in the series have a successive continuity, they are designed in a fiction. Climbing walls, rope crossing and climbing systems, which are placed for children to play actively, aim to improve their coordination skills as well as strengthen their muscles. Stations with sliding functions located on high platforms, support the concepts of posture and balance, also improve dimensional and spatial awareness

DISTRIBUTED BY



1300 433 364

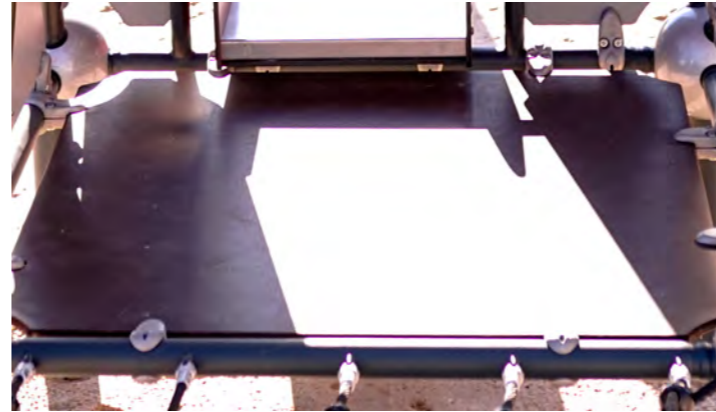


MULTIPLAY GROUP / MOTION SERIES

MGMS 102



Metal parts are comprised of ST 37 Steel with a 3-step metal finish. Sandblasting and solvent-free zinc primer coating and electrostatic powder paint application is inherently corrosion resistant under extreme weather conditions and UV.



Durable and weatherproof laminated Plywood is used at platforms. These platforms have ability of anti-slip feature to increase the safety of the users.



Sliding surface of the equipment is made of UV resistant High Density Polyethylene Sheet which is an alternative to stainless steel slides in sunny environments. Sides of the slide is HPL or HDPE with rounded edges.



CmrRope™ is formed by 6 strands of galvanized wires and a core either steel or fiber. Each strand is tightly braided with Polyester which is adhered to galvanized wires with a patented method to create a solid surface where polyester meets with wires. So extra protection is achieved against friction and vandalism. Surface is extremely abrasion and UV resistant also fire retardant.

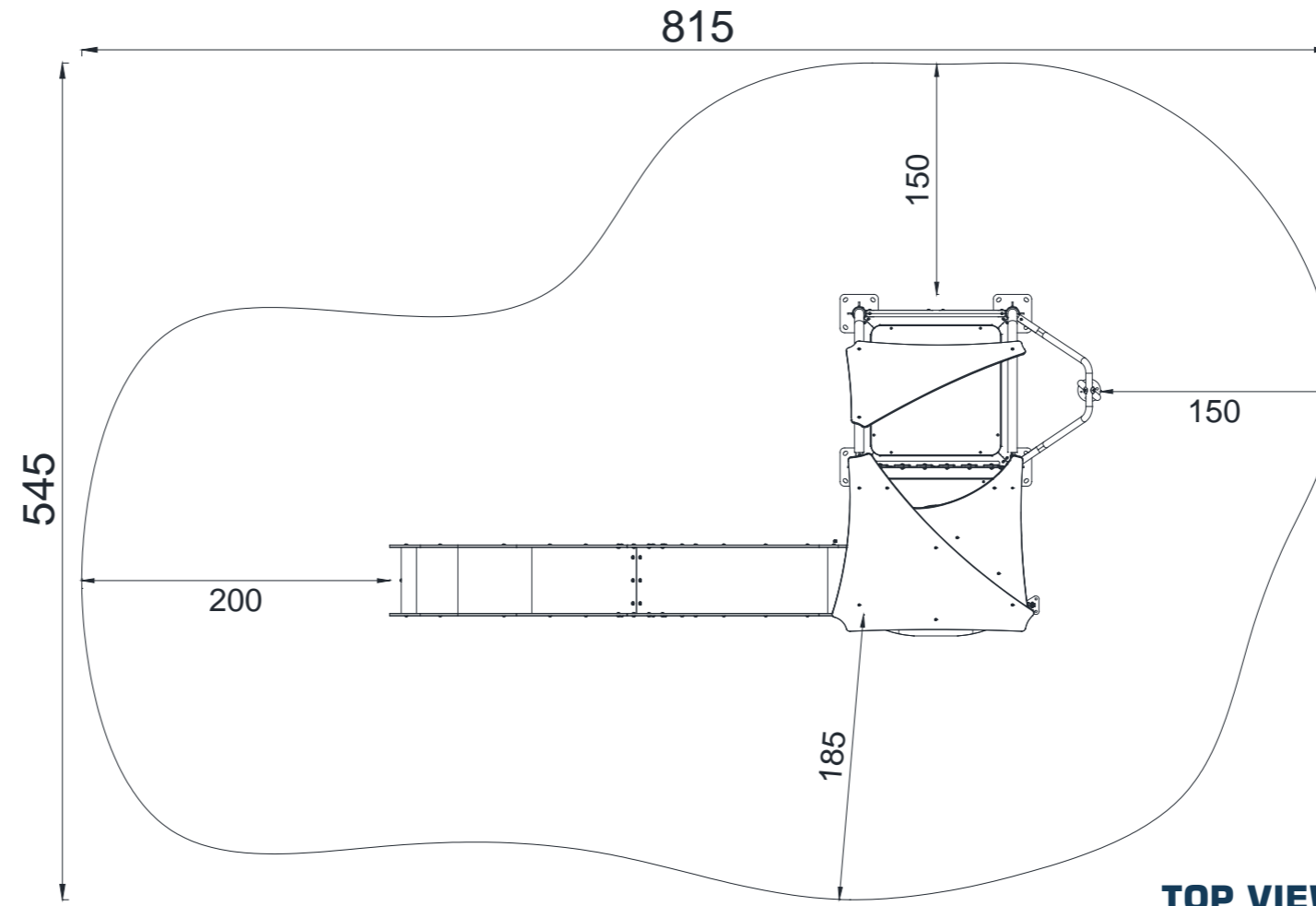


High quality panels made of HPL panels are milled to provide a smooth, gently rounded edge. The thickness of the panels varies according to its purpose for floors, roofs, and walls. These panels are connected to steel pipes or profiles with cast aluminum panel clamps or flanges.

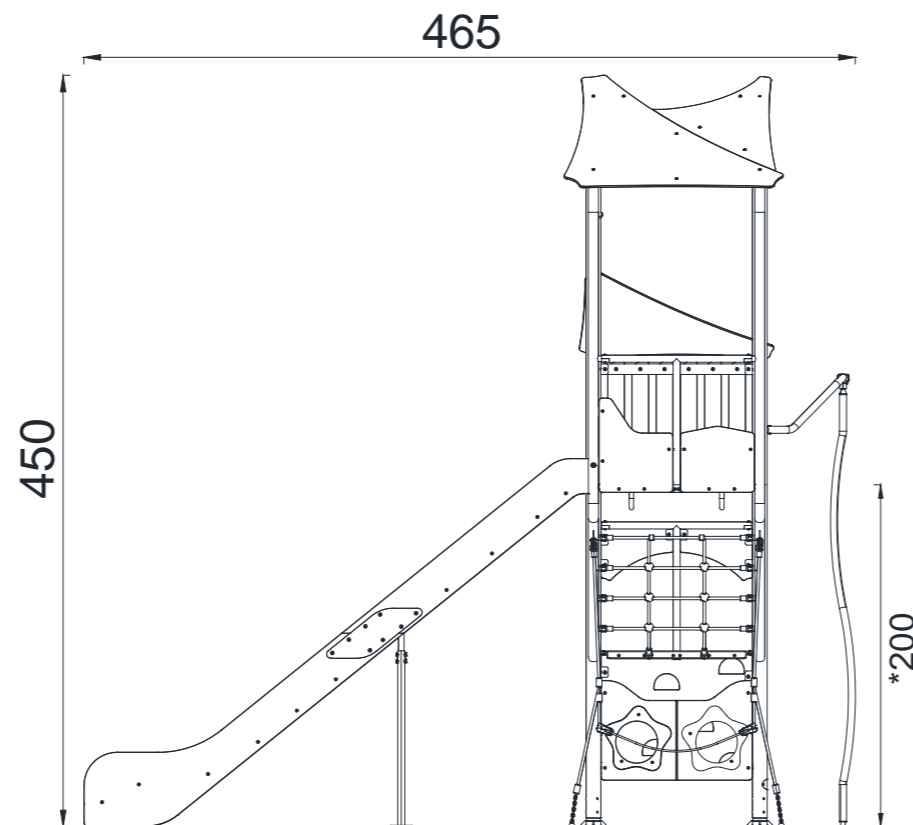


MULTIPLAY GROUP / MOTION SERIES

MGMS 102

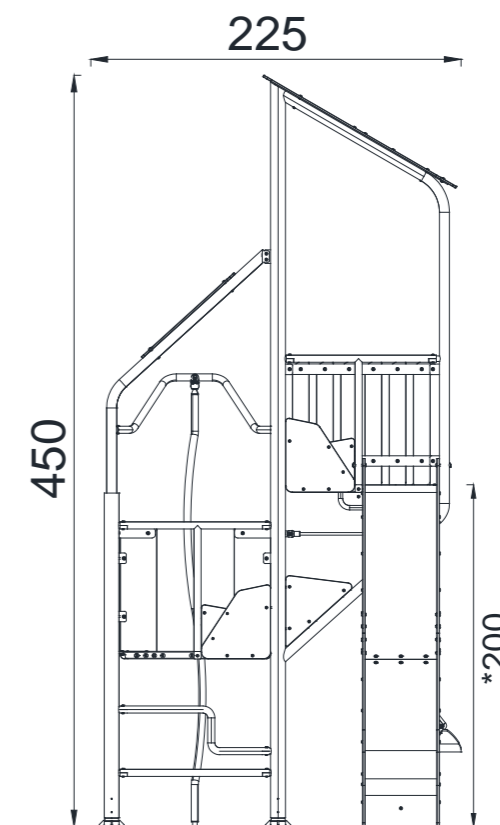


TOP VIEW



FRONT VIEW

Maximum Fall Height / Dimensions shown are in cm



SIDE VIEW





BOUNCING

To bounce is the act of bouncing on a responsive, flexible, elastic or tensile surface.



SLIDE

To slide is the act of moving fast downwards steady on a slide.



BALANCE

To balance is to stay upright when walking or standing on a surface that makes this challenging.



ROCK

To rock is the action of rocking back and forth, or sideways, on e.g. a piece of spring equipment.



SITTING

It is an area where children can rest while sitting and have fun.



SWING

To swing is the movement of swinging back forth, or in circular movement, seated, standing or lying, in a unhindered arc.



HANGING

To hang in arms is the act of carrying the body with the hands or arms, possible to traverse to another platform or play item.



SPIN

To spin involves a fast, repeating horizontal or vertical turn of the body on a piece of equipment that facilitates social interaction.



CLIMBING

To climb is the act of moving upwards, cross coordinating arms and legs, on a vertical or inclined surface or net.



CRAWLING

To crawl is the movement of moving forwards or backwards, cross - coordinating arms and legs, on a horizontal or slightly incline surface



RUNNING

Running is an activity that encourages children to interact with the playgroup by running and develop physically.



ACCESSIBLE

These are special areas where children with disabilities can play and have fun and without feeling different.



INTERACTION

It is children's communicating with the play group by touching and feeling.



ROTATE

To rotate involves a vertical or horizontal slower paced turn of the body, facilitated by a piece of equipment.



EQUALITY

Equality is the feature of the playgroup to attract the attention of all children, regardless of gender.



SOCIALIZE

To socialize is the act of meeting, communicating or cooperating in an activity that stimulates and facilitates social interaction.



ROLE PLAY

Role play is motivated through play items that stage a frame, place or environment for acting out make believe or role play scenarios.



PULL

To pull is the act of pulling item towards you or you towards an item with one or both hands, or possibly with the entire body.



GLIDE

To glide is the act of moving from one point to another without shifting the feet, in a horizontal or vertical movement in a seated, lying or standing position, letting gravity do the work.



PUSH

To push is the act of pushing an item away from you with one or both hands, possibly with the entire body.