



THIS DRAWING IS INDICATIVE ONLY (NOT FOR CONSTRUCTION)



PIPER

EXM1002

DRAWING No.: - REV: A

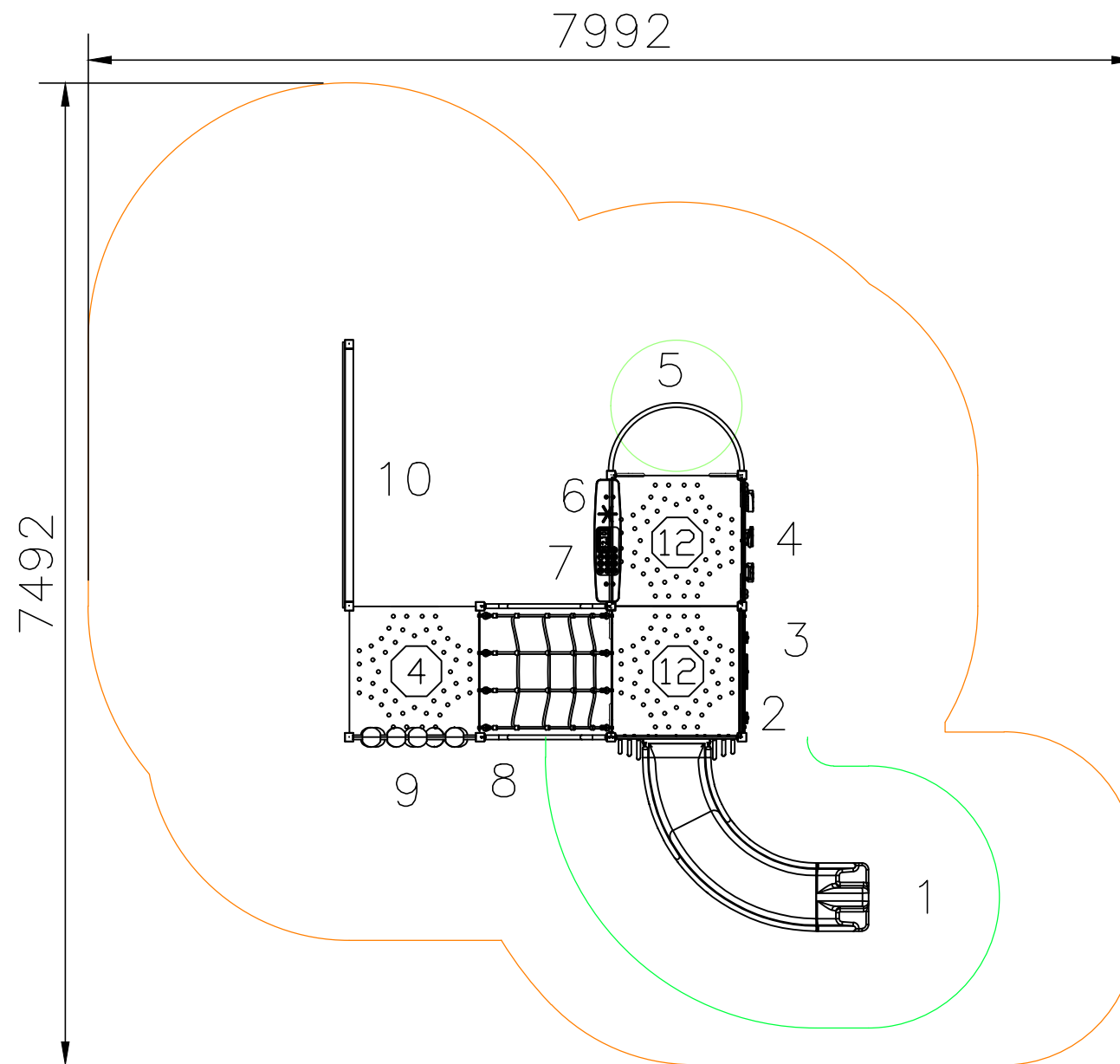
DATE: 22/06/2022

DRN: B. GOEPEL PAGE SIZE: A3

### EQUIPMENT LIST

PIPER - MARINE GRADE

1. MG CATERPILLAR SLIDE CURVED 1200 & SLIDE ENTRY RAIL
2. RACE PANEL (MG) (UNDER)
3. MG SAFETY RAIL PANEL
4. MG ROCKWALL CHALLENGE 1200 & BARRIER ENTRY RAIL (MG)
5. MG FIREPOLE 1200 & BARRIER ENTRY RAIL
6. COUNTER PANEL (MG) (UNDER)
7. MG SAFETY RAIL PANEL
8. MG CARGO NET CLIMBER DK-DK 800 & Z RAILS & BARRIER ENTRY RAIL (MG)
9. MG ABACUS PANEL
10. MG IRREGULAR SQUARE CLIMBING NET 2M



#### EXTREME COLOURS:

POSTS - HUNTER BLUE  
 POST CAPS - ORANGE  
 RAILS - SILVER GLOSS PEARL  
 PLASTIC 1 - ORANGE  
 ROPES - BLACK  
 CNC PANEL - ORANGE/BLACK

QUANTITIES	QTY TOTAL

NOTES:  
 - Heights above Playground surface are shown on decks and all play equipment. ie. Ⓞ = 400mm  
 - Impact absorbing ground cover is required under and around all play equipment.

- The min. recommended fall zone around the entire play structure is shown. This zone is to be free of all tripping or collision hazards (ie. roots, rocks, border material, etc).  
 - Site layout and dimensions are subject to verification prior to installation.  
 - Dimensions in millimetres unless stated otherwise.

