



THIS DRAWING IS INDICATIVE ONLY (NOT FOR CONSTRUCTION)

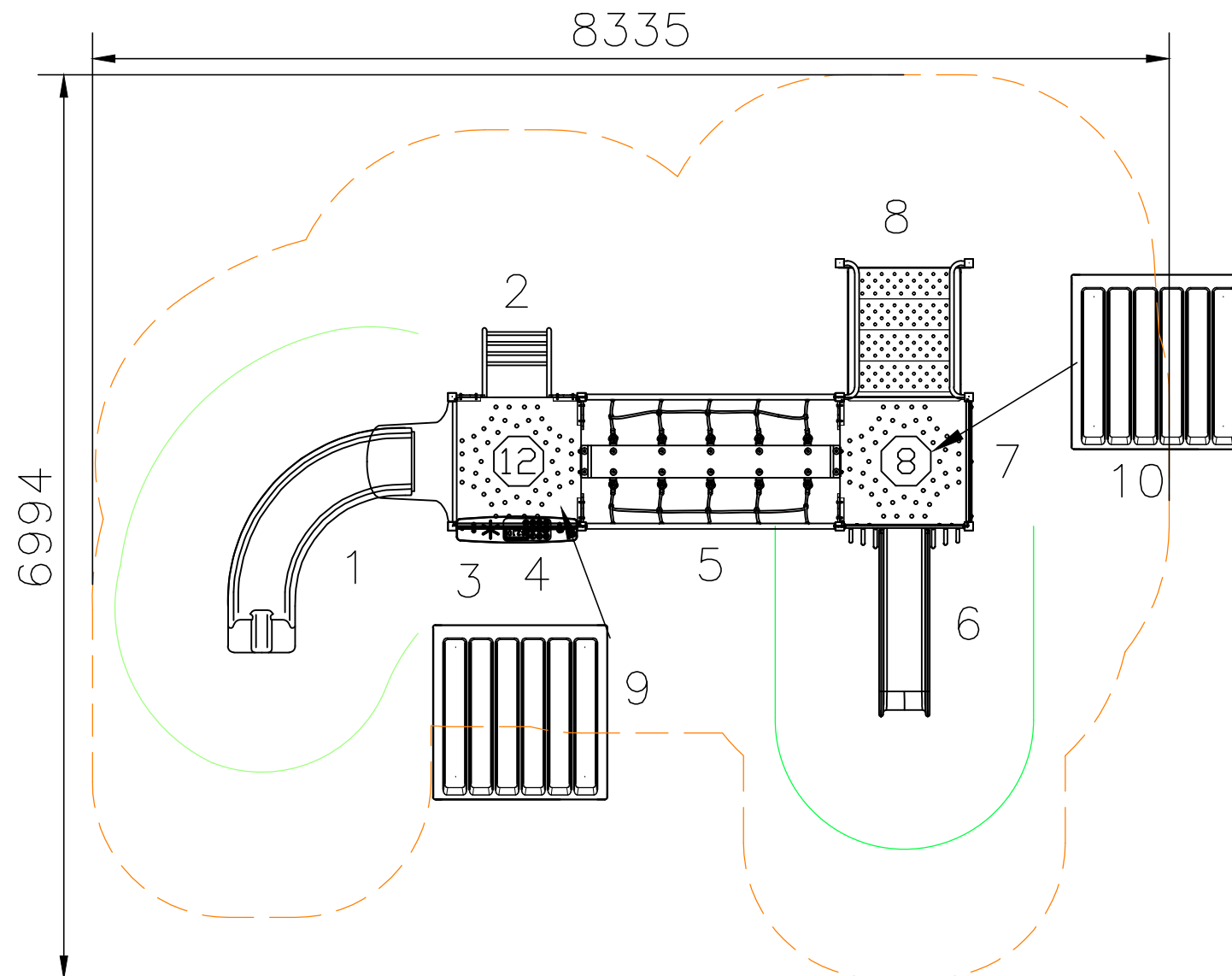


LARA	
EXM1069	
-	
DRAWING No.: -	REV: A
DATE: 13/09/2022	
DRN: B. GOEPEL	PAGE SIZE: A3

### EQUIPMENT LIST

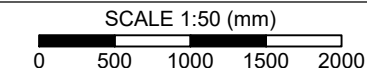
LARA - MARINE GRADE

1. MG HOODED CATERPILLAR SLIDE CURVED 1200
2. MG VERTICAL LADDER 1200 & BARRIER ENTRY LOOPS CNC NATURAL (MG)
3. KOOKABURRA PANEL (MG)
4. COUNTER PANEL (MG) (UNDER)
5. MG INCLINED FLEXI BRIDGE & BARRIER ENTRY LOOPS CNC NATURAL (MG) x2
6. MG CATERPILLAR SLIDE 800
7. TURTLE PANEL (MG)
8. MG SAFETY STAIRS DK-GND 800
9. ARC ROOF WITHOUT INFILL
10. ARC ROOF WITHOUT INFILL



NOTES:  
 - Heights above Playground surface are shown on decks and all play equipment. ie. Ⓞ = 400mm  
 - Impact absorbing ground cover is required under and around all play equipment.

- The min. recommended fall zone around the entire play structure is shown. This zone is to be free of all tripping or collision hazards (ie. roots, rocks, border material, etc).  
 - Site layout and dimensions are subject to verification prior to installation.  
 - Dimensions in millimetres unless stated otherwise.



EXTREME COLOURS: HERITAGE  
 POSTS - TERRACOTTA  
 RAILS - TEAL  
 PLASTIC 1 - HERITAGE GREEN  
 PLASTIC 2 - MARINO  
 ROPES - NATURAL  
 CNC PANEL - WEATHERED STONE/SLATE GREY  
 CNC PANEL 2 - GREEN/BEIGE

QUANTITIES	QTY TOTAL