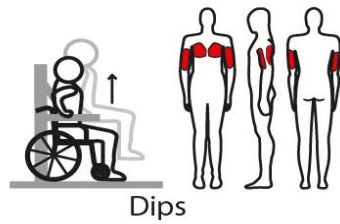
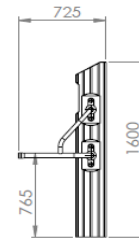
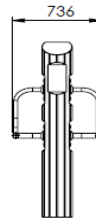
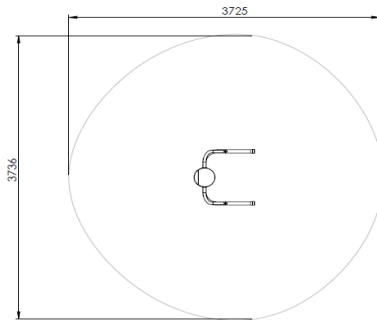


Technical information Denfit Nature Fitness - ROB6874 Parallel bars Inclusive



Dips



Parallel bars Inclusive	The basic exercise is dips, follow the instruction pictogram. Many alternative exercises are possible on the Parallel Bars Inclusive. Check out the QR code that leads to all training possibilities.
Accessories	Instruction pictogram and QR code
Material	Post: Robinia wood, FSC certified. Steel parts are hot dipped galvanized or hot zinc flame sprayed and powder coated in Gris Sable 2400. Tubes are stainless steel 304 ceramic pearled. The installation frame is of hot dipped galvanized steel.
Dimensions material	Robinia post: 1200/1800mm, Ø 240-270mm Square tubes: 60 x 40 x 3 mm Round tubes/handles: Ø 33,7 x 3 mm
Area of movement	13,9 m ²
Fall protection	no
Assembly	Preassembled sections
Free height of fall	765 mm
intended for	adults and youth > 1400 mm
max. user weight	120 kg
Anchoring	600 mm into the ground The Robinia post needs to be secured with fast-setting concrete. . The soil should be packed tightly
Certification:	EN 16630-2015: for permanently installed outdoor fitness equipment
Notice:	<i>Not intended for children >1400 mm The Denfit Gym equipment should not be used if you are suffering from physiological problems. Avoid exaggerated physical exhaustion. In case of doubt please contact your doctor before use. Inspect the equipment before use. Don't use it if it appears damaged or inoperable.</i>

