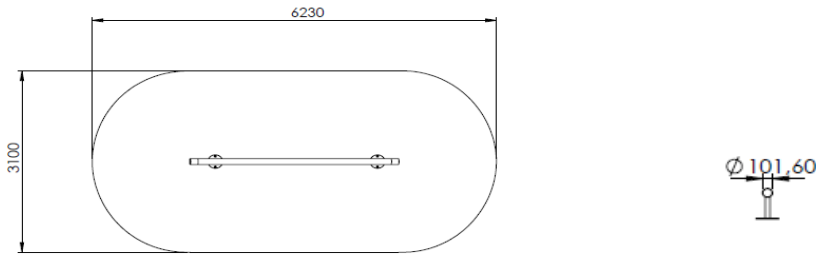
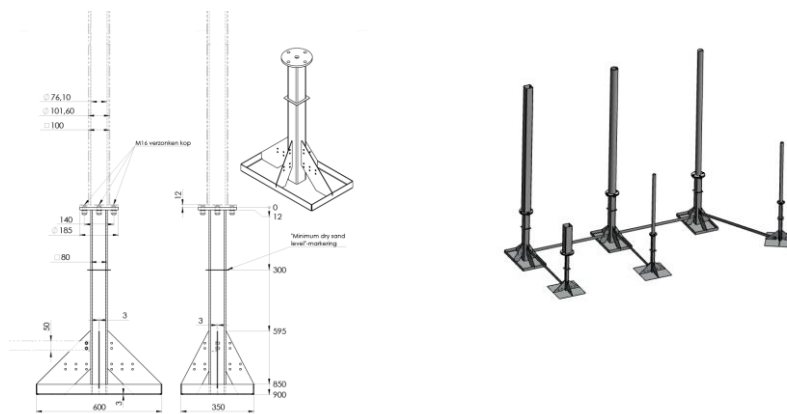


### OR 1417/1467 Balance Beam technical information

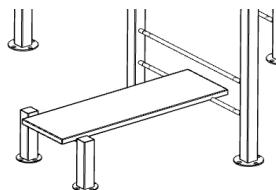


	Beam	Bars	Tops	
<b>Material</b>	steel, hot dipped galvanized and texture powder coated in Gris 2400 Sablé	steel, hot dipped galvanized	steel, hot zinc flame sprayed and polyester powder coated in Lime Green (other RAL colours are possible)	
<b>Extra materials</b>				
<b>Dimensions</b>	Bars: $\varnothing$ 48,3 x 3,25 mm	Beam: $\varnothing$ 101,6 x 3,25 mm		
<b>Area of movement</b>	18,6 m <sup>2</sup>			
<b>free height of fall</b>	350 mm			
<b>Fall protection according EN16630</b>	No			
<b>intended for</b>	youth and adults >1400 mm			
<b>max. user weight</b>	120 kg			

**Anchoring**  
 600, 750 or 900 mm in the ground.  
 The soil should be packed tightly.  
 It is advised to add concrete to secure the stability of the equipment.  
 Follow the instructions in the installation manual.



**On concrete: with  $\varnothing$  185 or 100 mm ground plate**  
 Follow the instructions in the installation manual.



**Notice:** *Not intended for children < 1400 mm*  
*The Denfit StreetWorkout equipment should not be used if you are suffering from physiological problems.*  
*Avoid exaggerated physical exhaustion. In case of doubt please contact your doctor before use.*  
*Inspect the equipment before use. Don't use it if it appears damaged or inoperable.*