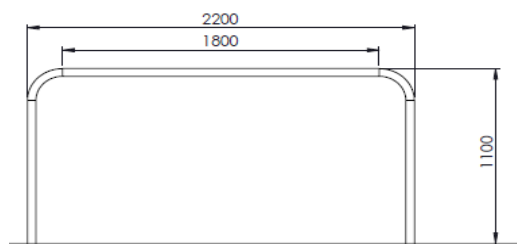
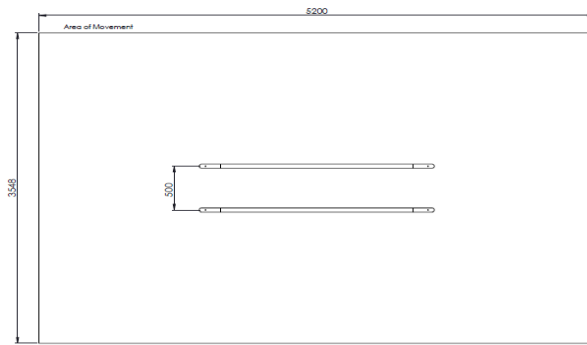
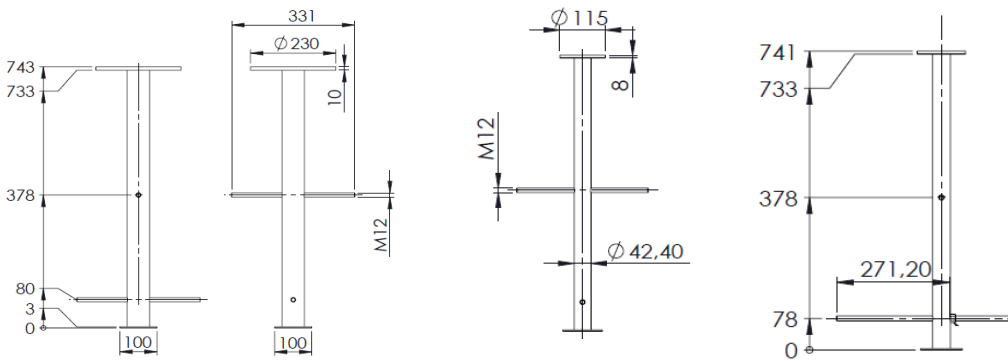
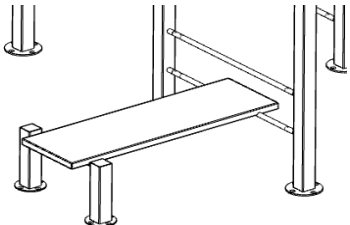


DSW 4304/4354 Parallel Bars - 2 bars technical information



		Bars	
Material		steel, hot dipped galvanized	
Dimensions	Bars: \varnothing 48,3 x 3,25 mm		
Area of movement	18,4 m ²		
free height of fall	1100 mm		
Fall protection according EN16630	No		
intended for	youth and adults >1400 mm		
max. user weight	120 kg		
Anchoring	<p>750 mm in the ground with \varnothing 230 and \varnothing 115 mm frames</p> <p>The installation frames need to be secured with fast-setting concrete. Every hole should be 500x500x750mm and around 0,12m³ concrete is needed. The soil should be packed tightly. Follow the instructions in the installation manual.</p>  <p>On concrete: with \varnothing 230 or 115 mm ground plate Chemical anchoring needs to be used; this is not included. Follow the instructions in the installation manual.</p> 		
Notice:	<p>Not intended for children < 1400 mm</p> <p>The Denfit StreetWorkout equipment should not be used if you are suffering from physiological problems.</p> <p>Avoid exaggerated physical exhaustion. In case of doubt please contact your doctor before use.</p> <p>Inspect the equipment before use. Don't use it if it appears damaged or inoperable.</p>		
Certification:	EN16630:2015 - for permanently installed outdoor fitness equipment		