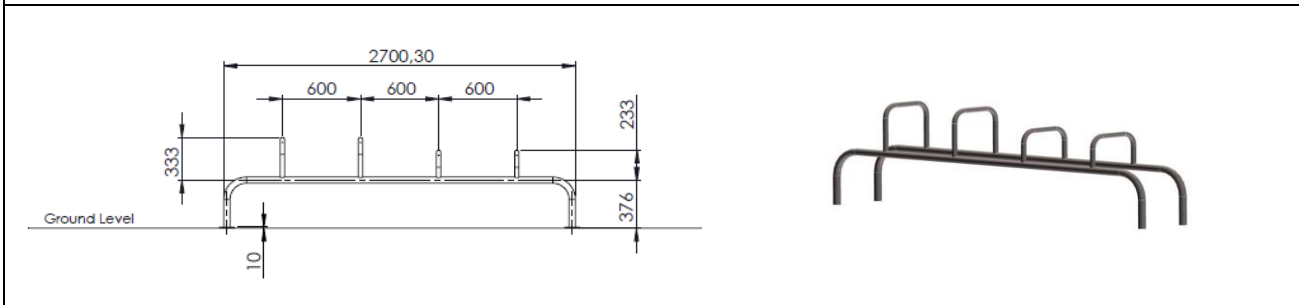
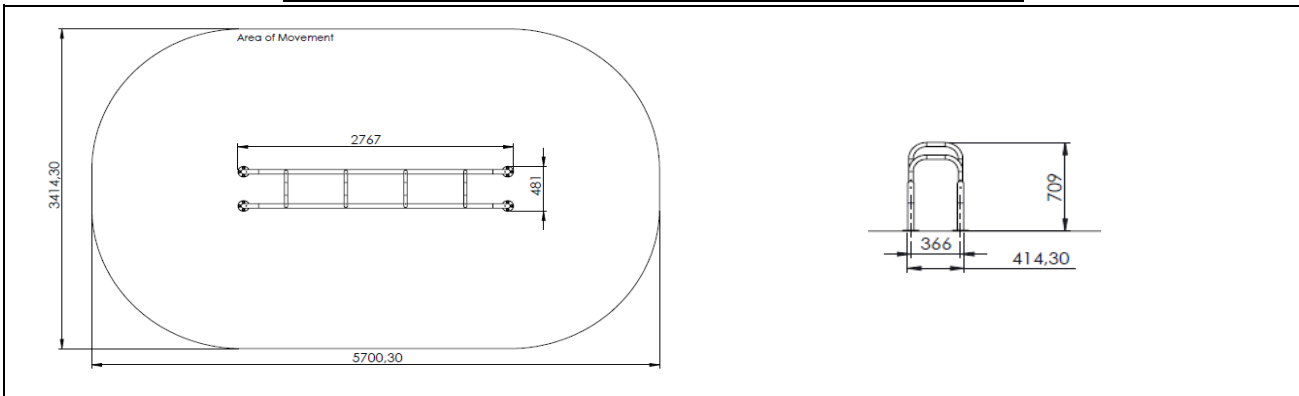
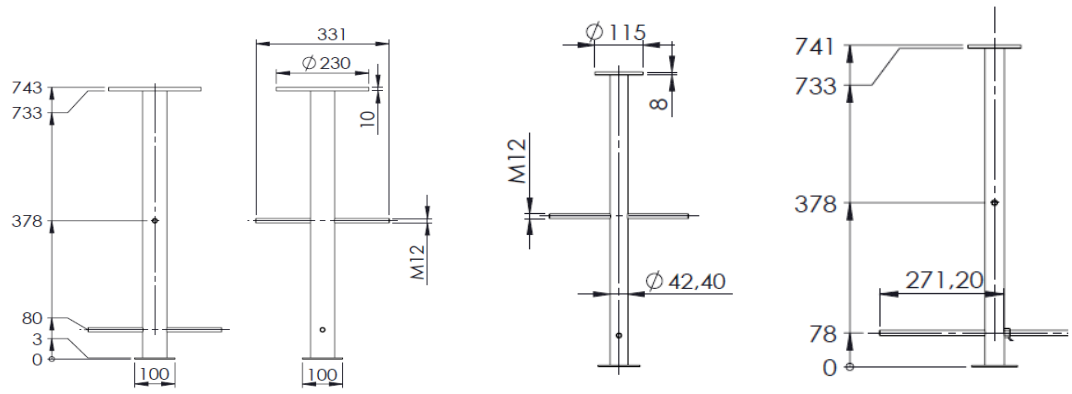


DSW 4901/4951 Workout Desk technical information

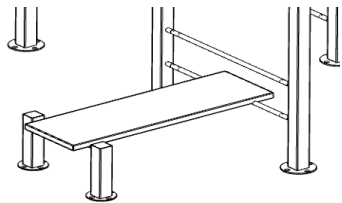


		Bars	
Material		steel, hot dipped galvanized	
Dimensions	Bars: \varnothing 33,7 / 48,3 x 3,25 mm		
Area of movement	19,5 m ²		
free height of fall	709 mm		
Fall protection according EN16630	No		
intended for	youth and adults >1400 mm		
max. user weight	120 kg		

Anchoring **750 mm in the ground with \varnothing 230 and \varnothing 115 mm frames**
 The installation frames need to be secured with fast-setting concrete. Every hole should be 500x500x750mm and around 0,12m³ concrete is needed. The soil should be packed tightly. Follow the instructions in the installation manual.



On concrete: with \varnothing 230 or 115 mm ground plate
 Chemical anchoring needs to be used; this is not included.
 Follow the instructions in the installation manual.



Notice: *Not intended for children < 1400 mm*
The Denfit StreetWorkout equipment should not be used if you are suffering from physiological problems.
Avoid exaggerated physical exhaustion. In case of doubt please contact your doctor before use.
Inspect the equipment before use. Don't use it if it appears damaged or inoperable.

Certification: **EN16630:2015 - for permanently installed outdoor fitness equipment**