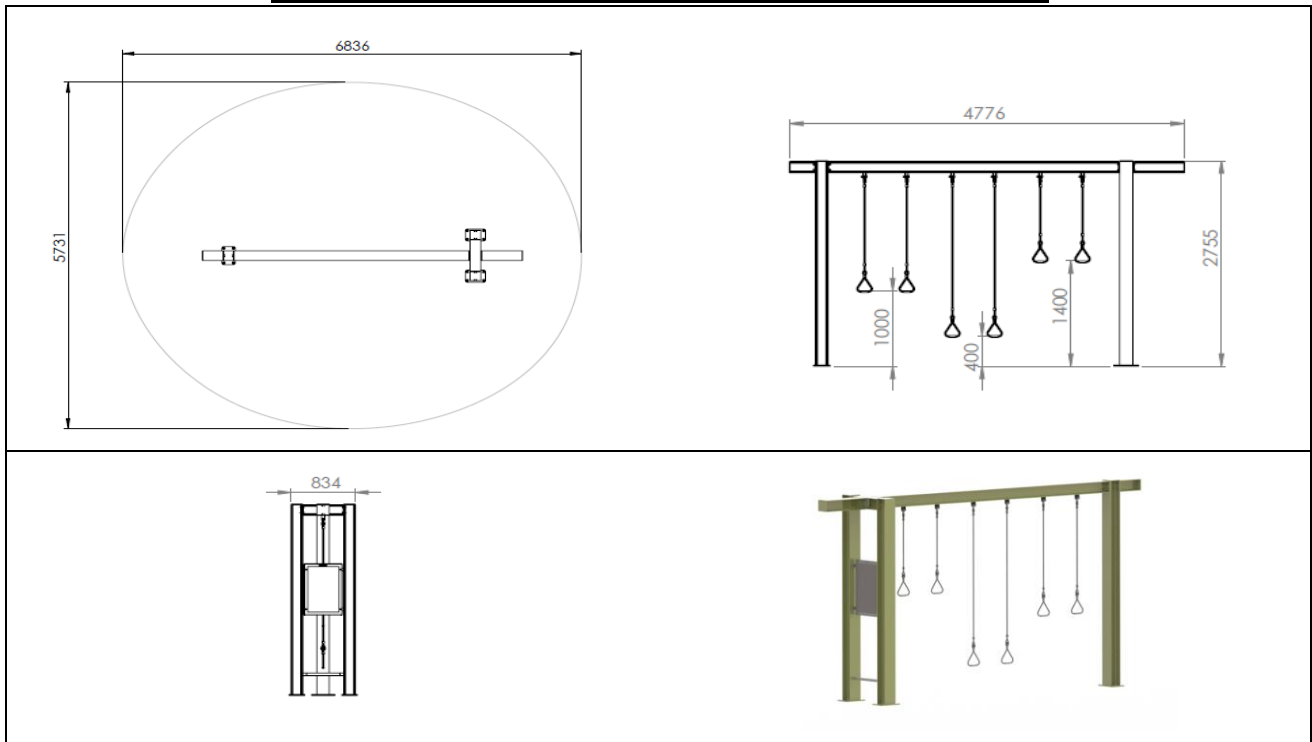
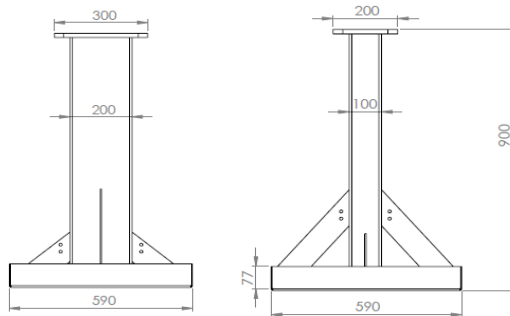


DSW4921/4971 Crosstraining TRX technical information

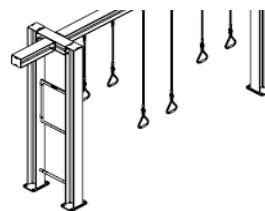


	Posts	Bars	TRX rings
Material	HEA profile 200, steel, hot dipped galvanized and texture powder coated in Lime green (more colours possible)	steel, hot dipped galvanized	Aluminium Handle, Stainless Steel 304 swivel, Nylon Spacer, Nylon Thimble, 16mm 6x8 Braided Nylon rope
Dimensions	TRX hand bar heights: 400, 1000 and 1400 mm		
Area of movement	39,1 m ²		
free height of fall	400 mm		
Fall protection according EN16630	No		
intended for	youth and adults >1400 mm		
max. user weight	120 kg		

Anchoring HEA profiles on 900mm square frames.
 The installation frames need to be secured with fast-setting concrete. Every hole for the round frames should be 500x500x750mm and around 0,12m³ concrete is needed. For the square frames the holes are 600x600x900 and around 0,10m³ concrete is needed. The soil should be packed



On concrete: with 300x200 square plate
 Follow the instructions in the installation manual.



Notice:	<p><i>Not intended for children < 1400 mm</i></p> <p><i>The Denfit StreetWorkout equipment should not be used if you are suffering from physiological problems.</i></p> <p><i>Avoid exaggerated physical exhaustion. In case of doubt please contact your doctor before use.</i></p> <p><i>Inspect the equipment before use. Don't use it if it appears damaged or inoperable.</i></p>
Certification:	EN16630:2015 - for permanently installed outdoor fitness equipment