



THIS DRAWING IS INDICATIVE ONLY (NOT FOR CONSTRUCTION)



RUFUS

1005

CONSULTANT: -

DRAWING NO: - REV:

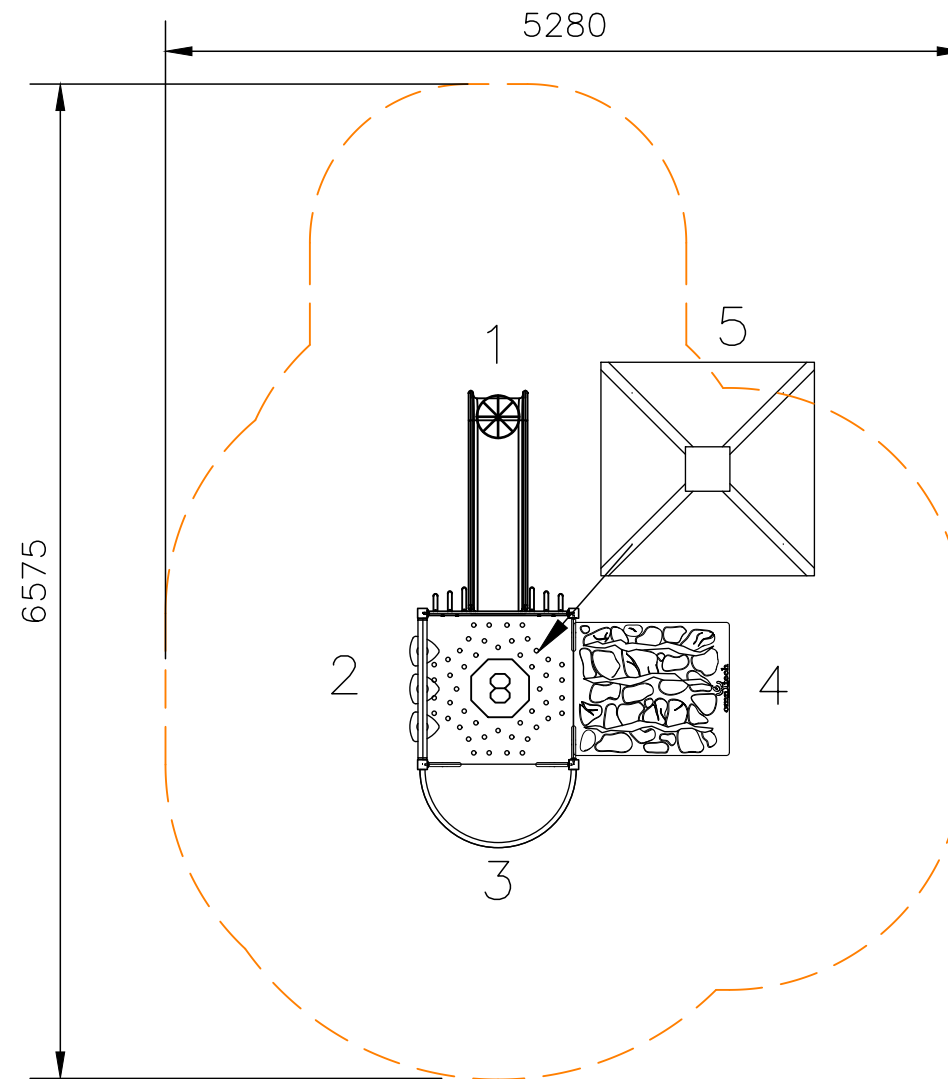
DATE: 24/05/2023

DRN: A. CALZAVARA PAGE SIZE: A3

EQUIPMENT LIST

RUFUS

1. CATERPILLAR SLIDE - ENTRY PANEL 800
2. NAUGHTS & CROSSES PANEL
3. FIREPOLE 800 & BARRIER ENTRY LOOPS - RAIL (MG)
4. ROCKY RAMBLE DCK-GND 800 (MG) & BARRIER ENTRY LOOPS - RAIL (MG)
5. DOME ROOF (MG)



EXTREME COLOURS:

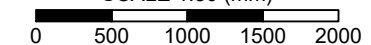
POSTS - PEPPERBARK
RAILS - TEAL
PLASTIC 1 - TEAL

NOTES:

- Heights above Playground surface are shown on decks and all play equipment. ie. Ⓞ = 400mm
- Impact absorbing ground cover is required under and around all play equipment.

- The min. recommended fall zone around the entire play structure is shown. This zone is to be free of all tripping or collision hazards (ie. roots, rocks, border material, etc).
- Site layout and dimensions are subject to verification prior to installation.
- Dimensions in millimetres unless stated otherwise.

SCALE 1:50 (mm)



QUANTITIES	QTY TOTAL