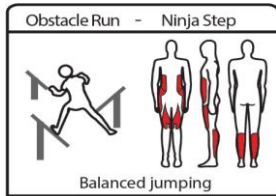
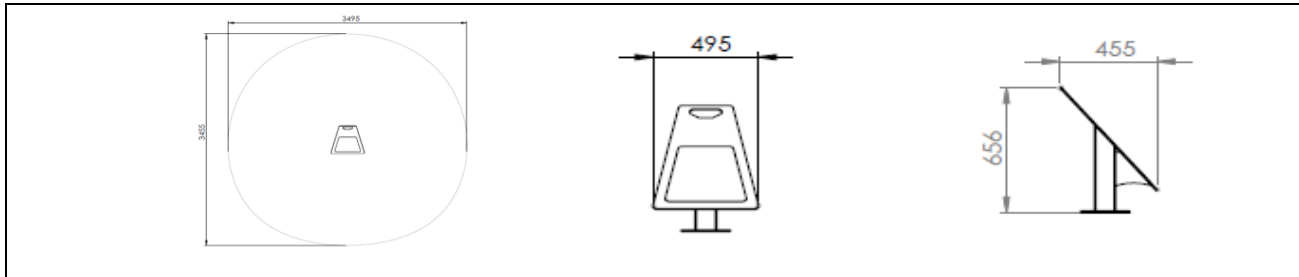
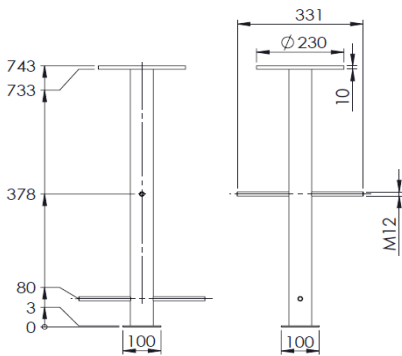


OR 1436/1486 Ninja Step 2.0 technical information

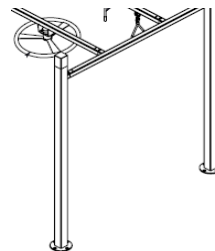


	Posts	Platform		
Material	steel, hot dipped galvanized and texture powder coated in Gris Sablé 2400	aluminium checker plate		
Dimensions	Posts: 200 x 100 x 3 mm			
Area of movement	12 m ²			
free height of fall	< 656 mm			
Fall protection according EN16630	No			
intended for	youth and adults >1400 mm			
max. user weight	120 kg			

Anchoring **750 mm in the ground with Ø 230 mm frames**
 The installation frames need to be secured with fast-setting concrete. Every hole should be 500x500x750mm and around 0,12m³ concrete is needed. The soil should be packed tightly. Follow the instructions in the installation manual.



On concrete: with Ø 230 mm ground plate
 Chemical anchoring needs to be used; this is not included. Follow the instructions in the installation manual.



Notice:	<p><i>Not intended for children < 1400 mm</i></p> <p><i>The Denfit StreetWorkout equipment should not be used if you are suffering from physiological problems. Avoid exaggerated physical exhaustion. In case of doubt please contact your doctor before use. Inspect the equipment before use. Don't use it if it appears damaged or inoperable.</i></p>
Certification:	EN16630:2015 - for permanently installed outdoor fitness equipment