

ADVENTURE GROUP / **HAWAII SERIES**
AGHS 04-P - DOUBLE PARADISO



Product Information

Dimensions (W x L x H)	: 11,35 x 10,0 x 5,1m
Age Group	: 3-12
Capacity	: 52
Fall Height	: 2,2 m
Safety Area	: 144,2 m ²



HAWAII SERIES

The Hawaii series is a product line inspired by the tropical concept. All products of the series contain a tropical theme in itself, representing an island consisting of various game stations and three-dimensional rope climbing. Continuous play stations that follow each other in a circular fashion are brought together around the three-dimensional rope climbing. The game units designed in accordance with the theme are aimed at developing children's creativity by giving them the feeling that they are on an island and encouraging them to create their own role-playing games in the empty spaces in the product.



ADVENTURE GROUP / HAWAII SERIES

AGHS 04-P - DOUBLE PARADISO



Metal parts are comprised of ST 37 Steel with a 3-step metal finish. Sandblasting and solvent-free zinc primer coating and electrostatic powder paint application is inherently corrosion resistant under extreme weather conditions and UV.



Sliding surface of the equipment is made of UV resistant High Density Polyethylene Sheet which is an alternative to stainless steel slides in sunny environments. Sides of the slide is HPL or HDPE with rounded edges.



Single-casing aluminum cast spheres with anti-corrosion treatment are placed at junctions. These spheres are designed with integrated bedding for connecting pipes.



CmrRope™ is formed by 6 strands of galvanized wires and a core either steel or fiber. Each strand is tightly braided with Polyester which is adhered to galvanized wires with a patented method to create a solid surface where polyester meets with wires. So extra protection is achieved against friction and vandalism. Surface is extremely abrasion and UV resistant also fire retardant.

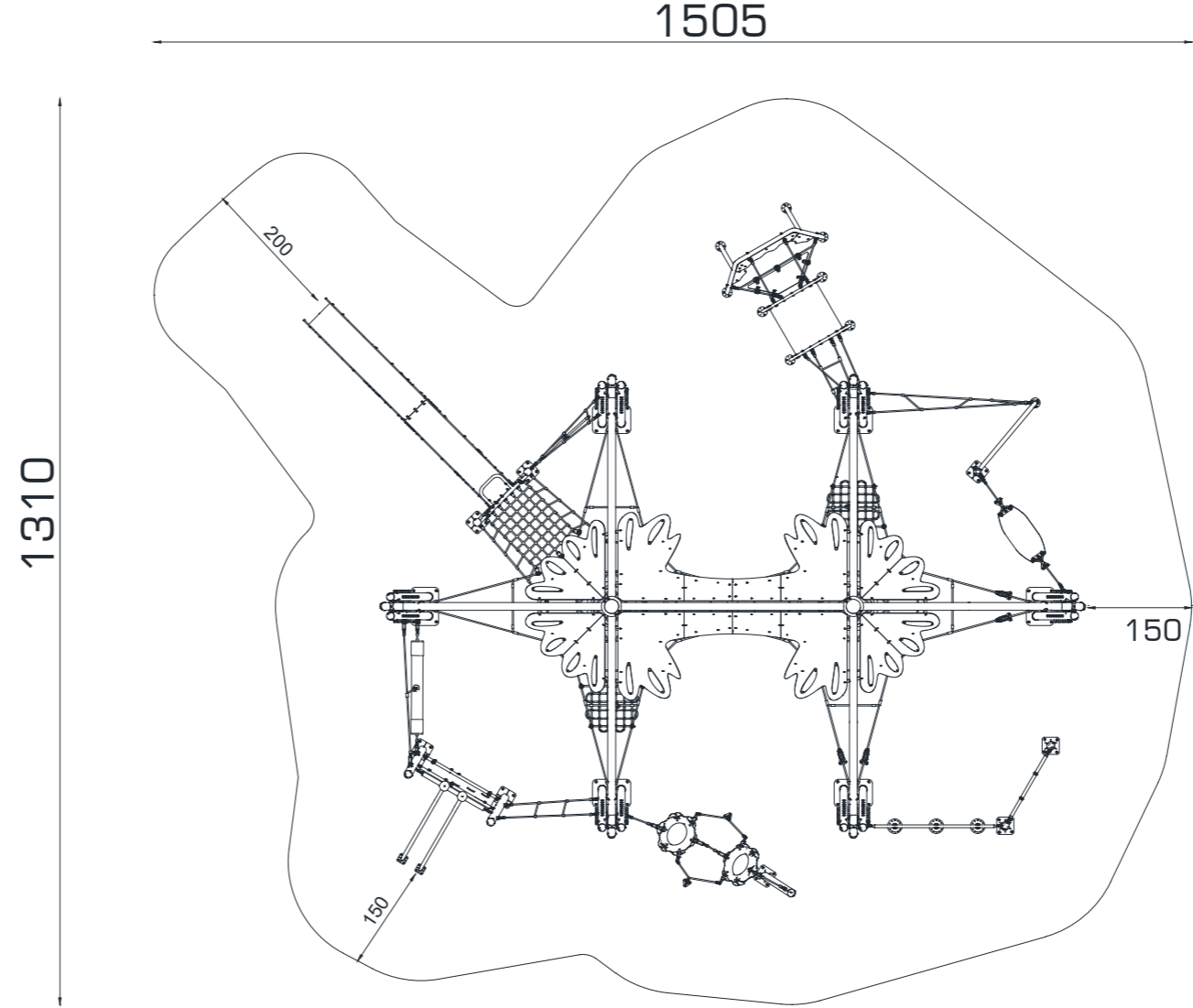


High quality panels made of HPL panels are milled to provide a smooth, gently rounded edge. The thickness of the panels varies according to its purpose for floors, roofs, and walls. These panels are connected to steel pipes or profiles with cast aluminum panel clamps or flanges

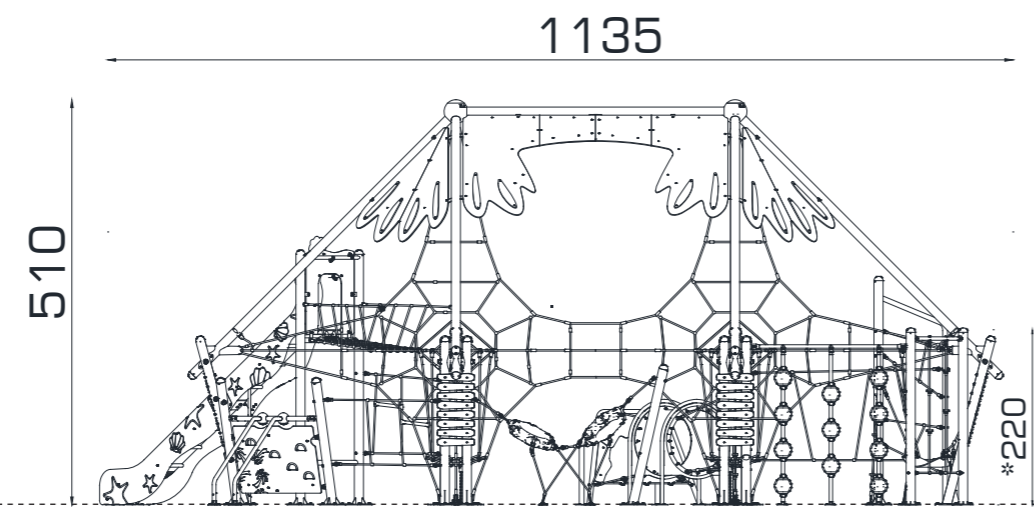


The connection of the rope station to the carrier element is made through adapters produced with precision casting techniques. The tensioning process takes place in the mechanism inside these adapters- internally- and all details remain closed. To make the rope station rigid, the rope heads will be stretched from the 3 or more circumference points and the top point. Tensioning strength could be reduced by using bearings in the system.

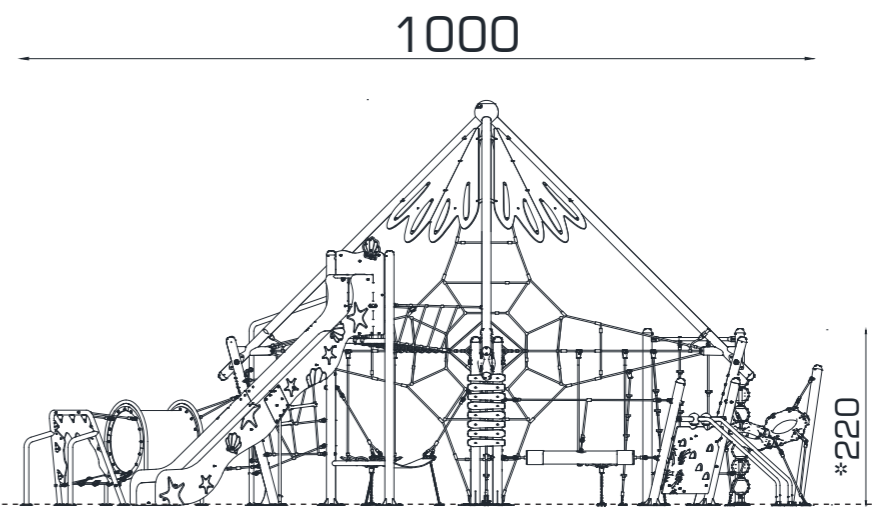
ADVENTURE GROUP / **HAWAII SERIES**
AGHS 04-P - DOUBLE PARADISO



ÜST GÖRÜNÜŞ / **TOP VIEW**



ÖN GÖRÜNÜŞ / **FRONT VIEW**



YAN GÖRÜNÜŞ / **SIDE VIEW**

*Maksimum Düşme Yüksekliği / **Maximum Fall Height** Gösterilen ölçüler cm cinsindedir / **Dimensions shown are in cm**





BOUNCING

To bounce is the act of bouncing on a responsive, flexible, elastic or tensile surface.



SLIDE

To slide is the act of moving fast downwards stead on a slide.



BALANCE

To balance is to stay upright when walking or standing on a surface that makes this challenging.



ROCK

Salınım; yaylı vb bir ekipman üzerinde ileri geri veya yana sallanma eylemidir

To rock is the action of rocking back and forth, or sideways, on e.g. a piece of spring equipment.



SITTING

Çocukların otururken hem dinlenebileceği hemde eğlenceli vakit geçirebileceği alandır.

It is an area where children can rest while sitting and have fun.



SWING

To swing is the movement of swinging back forth, of in circular movement, seated, standing or lying, in a unhindered arc.



HANGING

To hang in arms is the act of carrying the body with the hands or arms, possible to traverse to another platform or play item.



SPIN

To spin involves a fast, repeating horizontal or vertical turn of the body on a piece of equipment that facilitates social interaction.



CLIMBING

To climb is the act of moving upwards, cross coordinating arms and legs, on a vertical or inclined surface or net.



CRAWLING

To crawl is the movement of moving forwards or backwards, cross - coordinating arms and legs, on a horizontal or slightly incline surface



RUNNING

Running is an activity that encourages children to interact with the playgroup by running and develop physically.



ACCESSIBLE

These are special areas where children with disabilities can play and have fun and without feeling different.



INTERACTION

It is children's communicating with the play group by touching and feeling.



ROTATE

To rotate involves a vertical or horizontal slower paced turn of the body, facilitated by a piece of equipment.



EQUALITY

Equality is the feature of the playgroup to attract the attention of all children, regardless of gender.



SOCIALIZE

To socialize is the act of meeting, communicating or cooperating in an activity that stimulates and facilitates social interaction.



ROLE PLAY

Role play is motivated through play items that stage a frame, place or environment for acting out make believe or role play scenarios.



PULL

To pull is the act of pulling item towards you or you towards an item with one or both hands, or possibly with the entire body.



GLIDE

To glide is the act of moving from one point to another without shifting the feet, in a horizontal or vertical movement in a seated, lying or standing position, letting gravity do the work.



PUSH

To push is the act of pushing an item away from you with one or both hands, possibly with the entire body.

